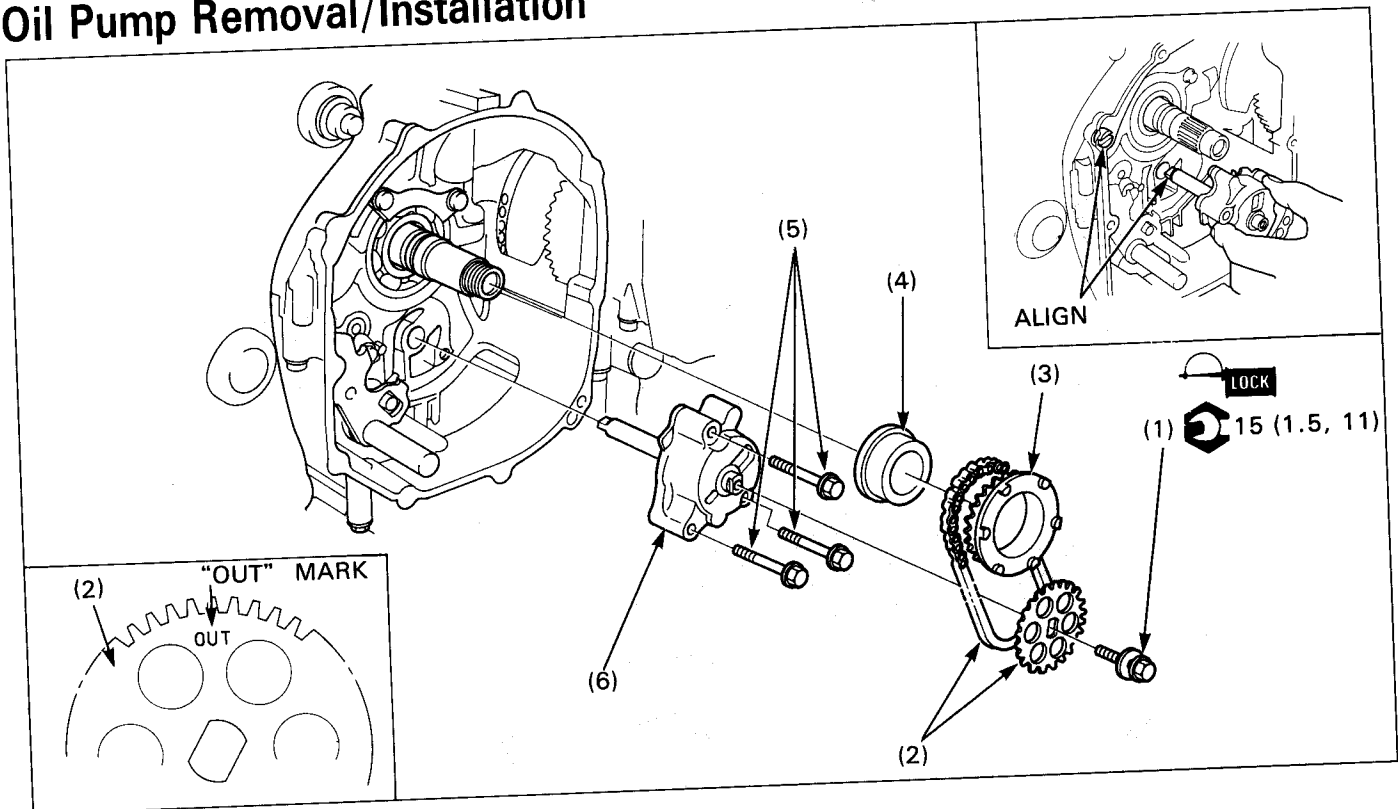


Oil Pump Removal/Installation



NOTE

- Use care not to allow dust or dirt to enter the engine.
- After installation, check that there are no oil leaks and that oil pressure is correct.

Requisite Service

- Clutch removal(page 9-4)
- Clutch installation(page 9-12)

Procedure	Q'ty	Remarks
Removal Order		
(1) Oil pump driven sprocket bolt	1	Installation is in the reverse order of removal. Install the oil pimp driven sprocket with the "OUT" mark facing out.
(2) Oil pump driven sprocket/Oil pump drive chain	1/1	
(3) Oil pump drive sprocket	1	
(4) Oil pump drive sprocket collar	1	
(5) Oil pump mounting bolt	3	
(6) Oil pump assembly	1	