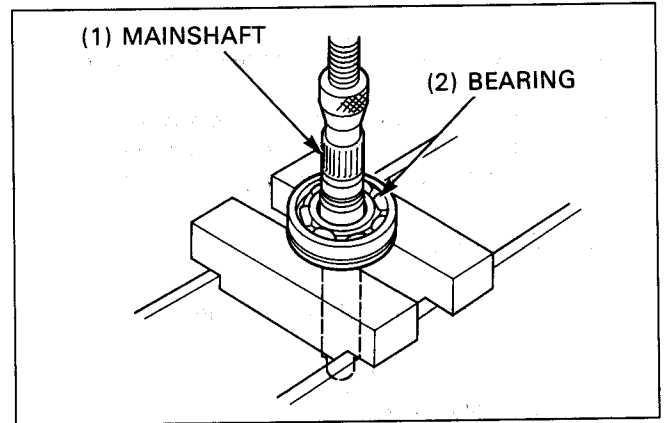


Mainshaft Bearing Replacement

Remove the mainshaft bearing by pressing the mainshaft.



Install a new radial ball bearing onto the mainshaft.

S TOOL

Inner driver C
Attachment, 25mm I.D.

07746-0030100
07746-0030200

