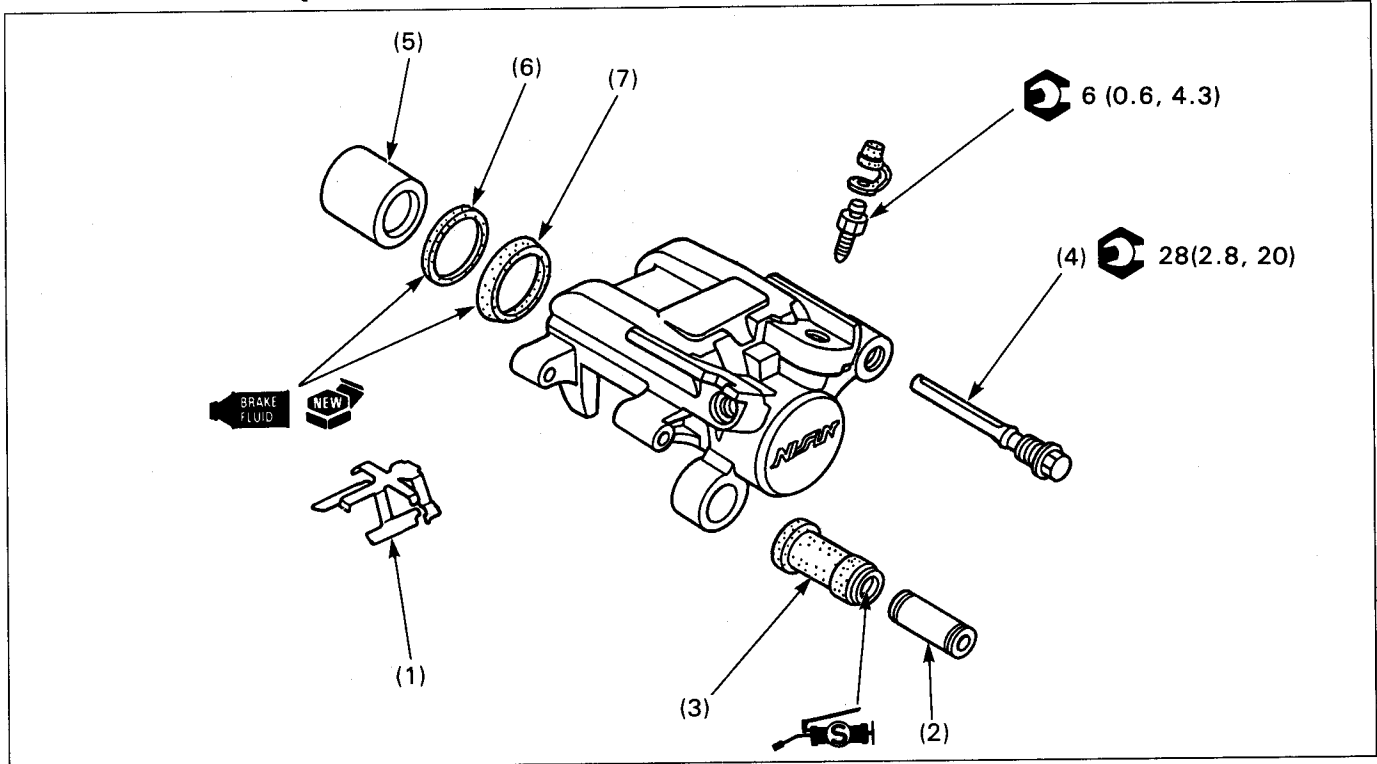


Rear Brake Caliper Disassembly/Assembly



CAUTION

• Avoid spilling fluid on painted, plastic, or rubber parts. Place a rag over these parts whenever the system is serviced.

Requisite Service

- Rear brake caliper removal/installation (page 14-11)

Procedure	Q'ty	Remarks
Disassembly Order		Assembly is in the reverse order of disassembly.
(1) Pad spring	1	
(2) Pivot collar	1	
(3) Pivot boot	1	
(4) Caliper pin bolt	1	Apply a locking agent to the threads and torque it. Apply silicone grease to the sliding surface of the pin.
(5) Caliper piston	1	Install the piston with the opening toward the pads.
(6) Dust seal	1	CAUTION • Be careful not to damage the piston sliding surface when removing the seals.
(7) Piston seal	1	