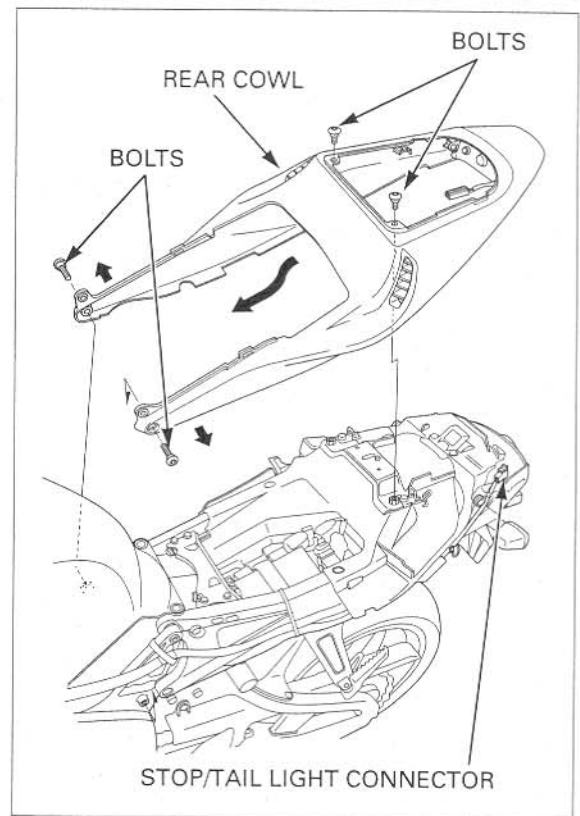


FRAME/BODY PANELS/EXHAUST SYSTEM

Make sure that the mating surfaces of the cowl bottom are seated onto the rear fender properly before tightening the bolts.

Install the rear cowl over the seat rail being careful not to damage the wire harness. Connect the stop/tail light connector.

Install the removed parts in the reverse order of removal.



LOWER COWLS

Be careful not to damage the tabs and grooves.

REMOVAL/INSTALLATION

Remove the five trim clips and bolt from the bottom of the lower cowls.

Remove the lower cowl-to-middle cowl pan screws. Remove the lower cowl mounting bolts and then remove the lower cowls by sliding them backward.

Install the lower cowl by aligning the tabs of the lower cowl with the grooves of the middle cowl.

Install and tighten the lower cowl-to-middle cowl pan screws to the specified torque.

TORQUE: 1.5 N·m (0.15 kgf·m, 1.1 lbf·ft)

Install the lower cowl mounting bolts.

Install the five trim clips and bolt from the bottom of the lower cowls.

