

## FUEL TANK COVER

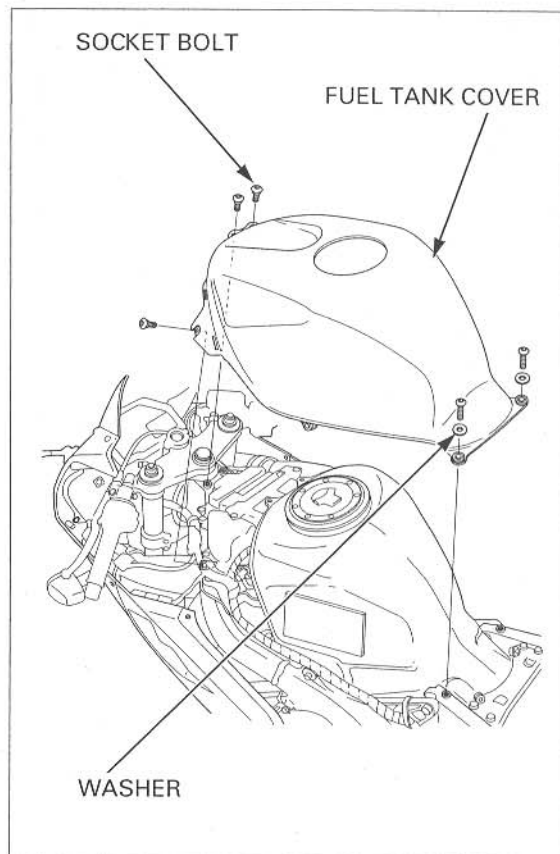
### REMOVAL/INSTALLATION

Remove the following:

- Seat (page 3-4)
- Side covers (page 3-4)
- Air duct covers (page 3-9)

Remove the six socket bolts, washers and fuel tank cover.

Install the fuel tank cover in the reverse order of removal.



## FRONT FENDER

### REMOVAL/INSTALLATION

Remove the fork protectors (page 14-19).

Remove the front brake hose 3-way joint bolt, hose clamp bolt and reflectors.

