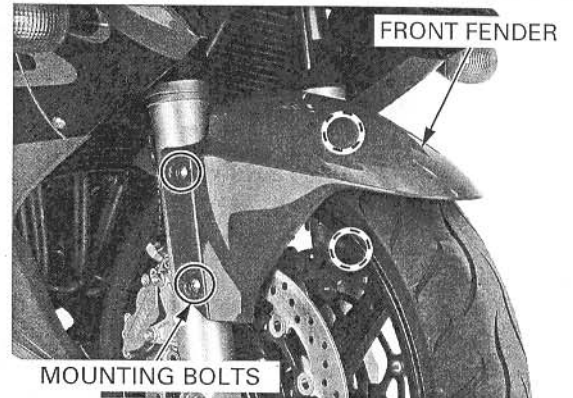


## FRAME/BODY PANELS/EXHAUST SYSTEM

Remove the socket bolts and front fender from the forks.

**NOTE:**

Pull the front fender up, above the sliders and then pull it forward between the fork tubes.



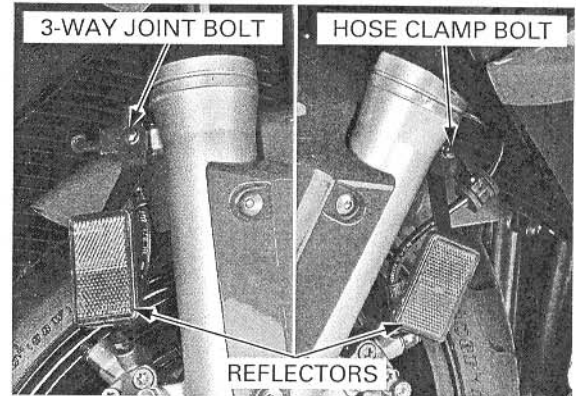
Install the front fender in the reverse order of removal.

**TORQUE:**

Front brake hose clamp bolt:  
12 N·m (1.2 kgf·m, 9 lbf·ft)

Front brake hose 3-way joint bolt:  
12 N·m (1.2 kgf·m, 9 lbf·ft)

Install the fork protectors (page 14-26).



## REAR FENDER

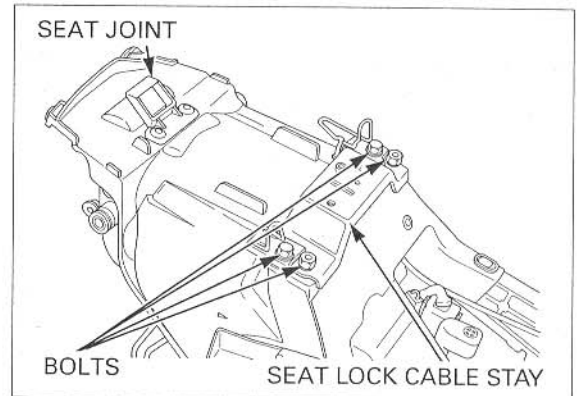
### REMOVAL

Remove the following:

- Rear cowl (page 3-5)
- Battery (page 17-5)
- Muffler (page 3-20)

Lift and support the fuel tank (page 6-61).

Remove the bolts and passenger seat joint.  
Remove the four bolts and seat lock cable stay.



Disconnect the seat lock cable from the cable stay.

