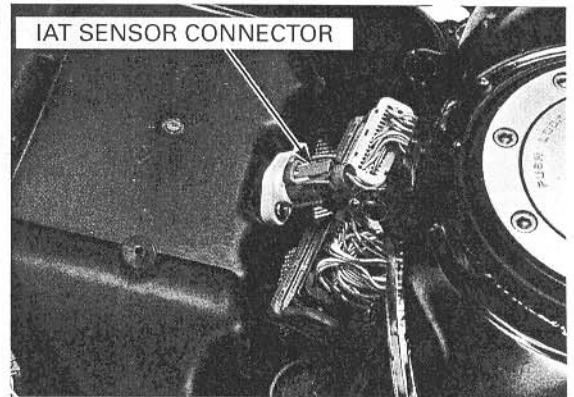
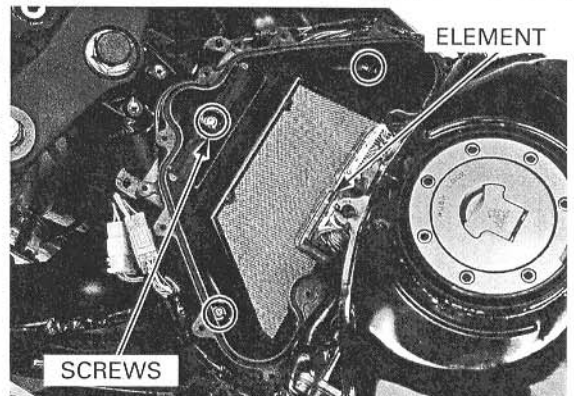


Pull up the air cleaner housing cover and disconnect the IAT sensor connector.



Remove the three screws. Remove and discard the air cleaner element in accordance with the maintenance schedule (page 4-4). Also replace the air cleaner element any time it is excessively dirty or damage.



Install the removed parts in the reverse order of removal.

SPARK PLUG

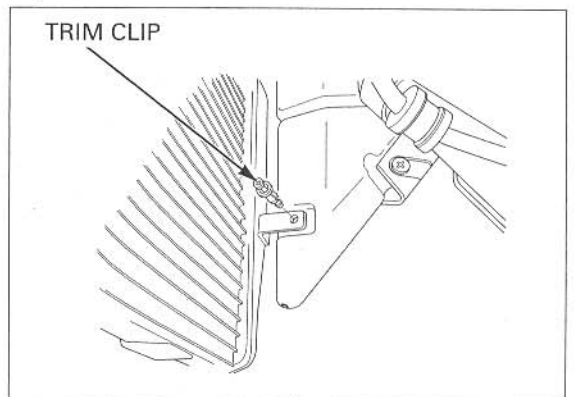
REMOVAL

Be careful not to damage the radiator fins.

Remove the following:

- Lower cowls (page 3-6)
- Middle cowls (page 3-7)

Remove the two trim clips and resonator chambers from the radiator.



Remove the radiator lower mounting bolt, nut and washer.

