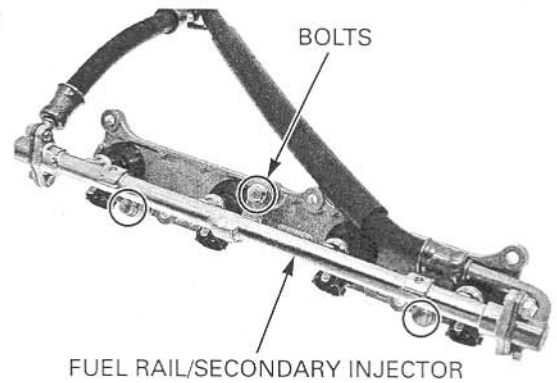
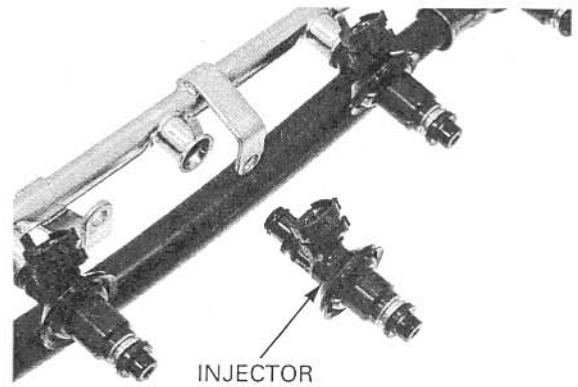


## FUEL SYSTEM (Programmed Fuel Injection)

Remove the bolts and fuel rail/secondary injector assembly from the mounting bracket.



Remove the injectors from the fuel rail.



Remove the O-ring, seal ring, cushion ring and dust seal.



Remove the two bolts, fuel hose and O-ring.

