

## ENGINE REMOVAL/INSTALLATION

Coat a new O-ring with oil and install it into the starter motor groove.

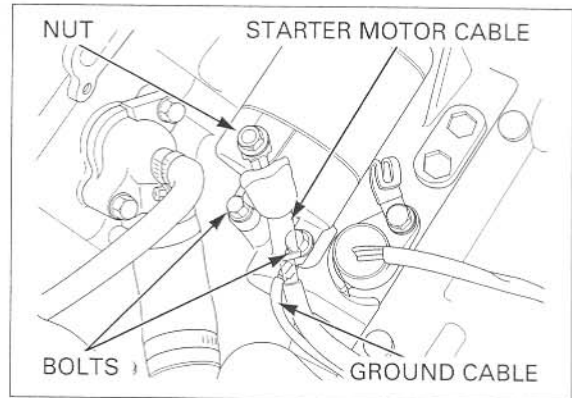
Install the starter motor into the crankcase.

Route the starter motor cable and ground cable. Connect the ground cable, then tighten the mounting bolts.

Connect the starter motor cable, then tighten the terminal nut to the specified torque.

**TORQUE: 12 N·m (1.2 kgf·m, 9 lbf·ft)**

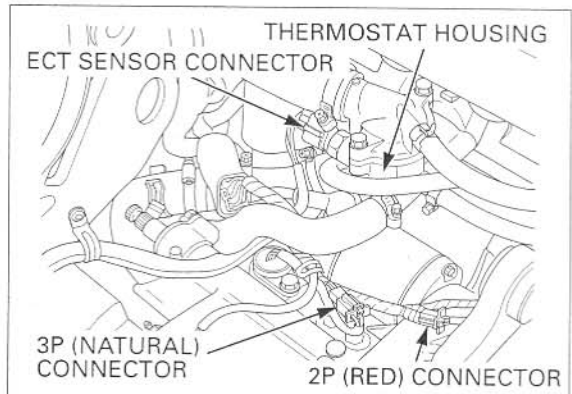
Install the rubber cap securely.



Install the thermostat housing (page 7-9).

Connect the ECT sensor connector and vehicle speed sensor 3P (Natural) connector.

Connect the ignition pulse generator 2P (Red) connector.

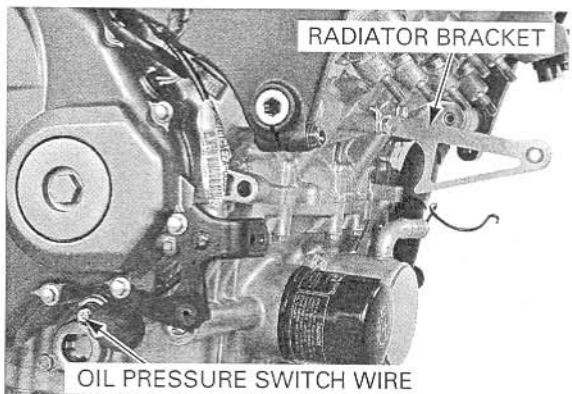


Install the radiator reserve tank (page 7-18).

Connect the oil pressure switch wire and tighten the screw to the specified torque.

**TORQUE: 2.0 N·m (0.2 kgf·m, 1.4 lbf·ft)**

Install the dust cover over the oil pressure switch.



Connect the clutch cable to the clutch lifter lever. Install the clutch cable guide plate to the right crankcase cover and tighten the mounting bolt.

