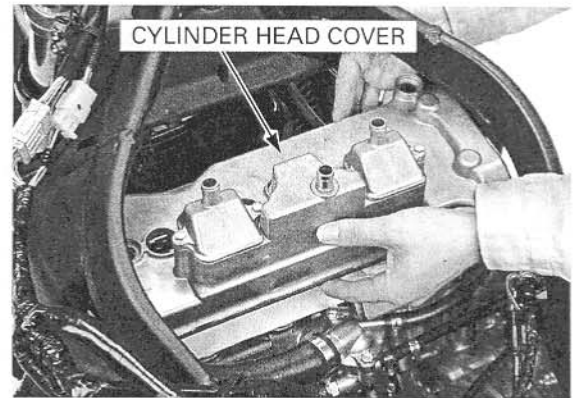
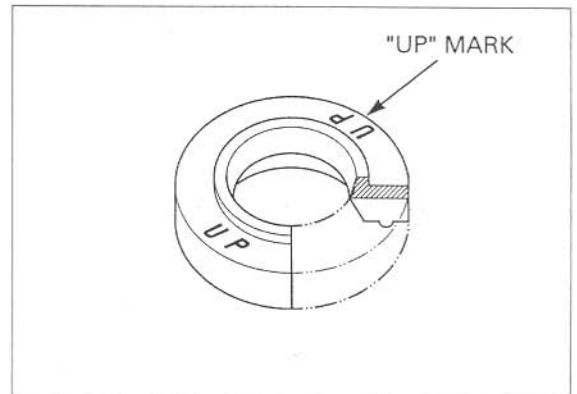


CYLINDER HEAD/VALVES

Install the cylinder head cover onto the cylinder head.

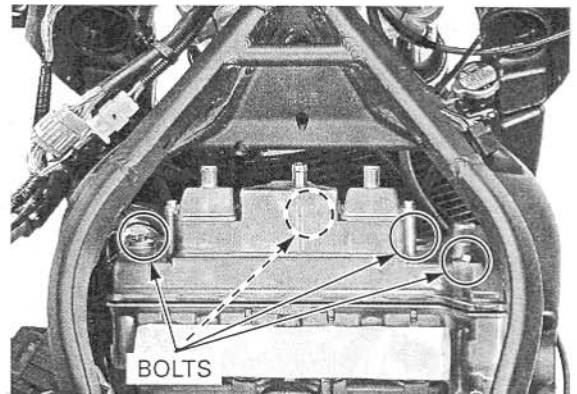


Install the washers to the cylinder head cover with their "UP" mark facing up.



Install and tighten the cylinder head cover bolts to the specified torque.

TORQUE: 9.8 N·m (1.0 kgf·m, 7 lbf·ft)



Install the heat guard rubber.

Connect the PAIR air hoses onto the cylinder head and install the PAIR control solenoid valve.

Connect the PAIR control solenoid valve 2P (Black) connector.

Install the crankcase breather hose.

