

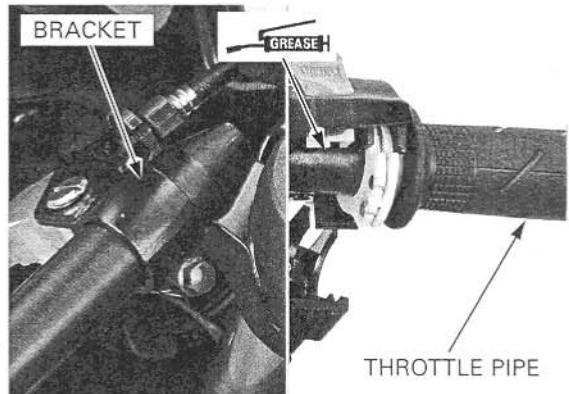
## FRONT WHEEL/SUSPENSION/STEERING

### INSTALLATION

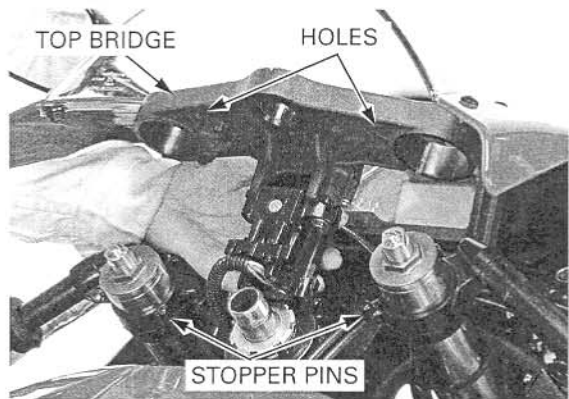
Apply grease to the sliding surface of the throttle pipe.

Install the clutch lever bracket to the left handlebar, and also the throttle pipe to the right handlebar.

Install the handlebars onto the fork tube.



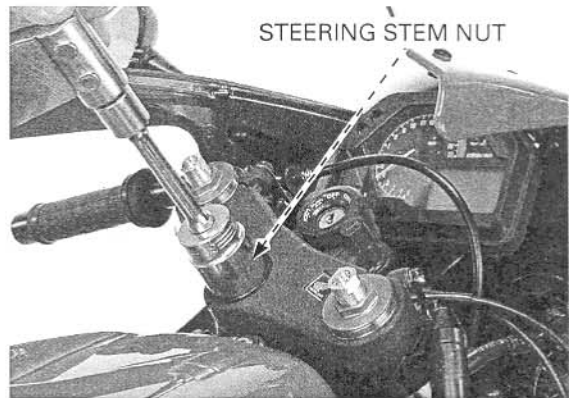
Install the top bridge while aligning its holes with the handlebar stopper pins.



Tighten the steering stem nut to the specified torque.

**TORQUE: 103 N·m (10.5 kgf·m, 76 lbf·ft)**

Install the steering stem cap.



Install the setting plates, top bridge pinch bolts and handlebar pinch bolts.

Tighten the top bridge pinch bolts to the specified torque.

**TORQUE: 23 N·m (2.3 kgf·m, 17 lbf·ft)**

Tighten the handlebar pinch bolts to the specified torque.

**TORQUE: 23 N·m (2.3 kgf·m, 17 lbf·ft)**

