

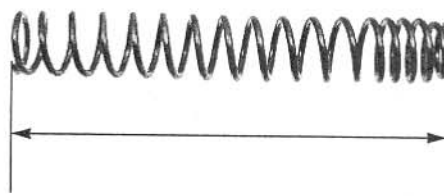
FRONT WHEEL/SUSPENSION/STEERING

INSPECTION

Fork spring

Measure the fork spring free length.

SERVICE LIMIT: 253.6 mm (9.98 in)

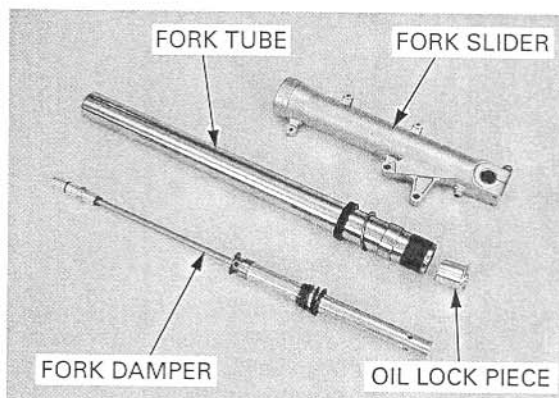


fork tube/slider/damper

Check the fork tube and fork slider for score marks, scratches, or excessive or abnormal wear. Replace any components which are worn or damaged.

Check the fork damper for damage. Check the oil lock piece for wear or damage.

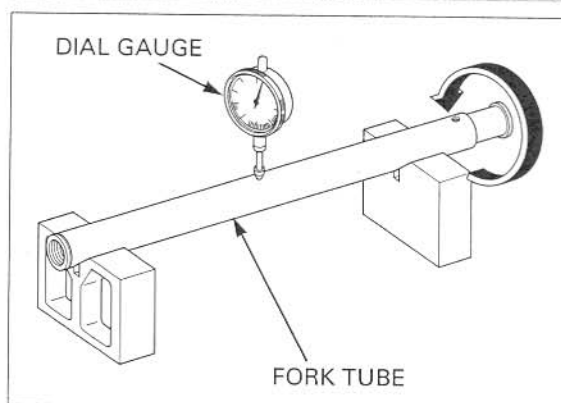
Replace the fork damper assembly, if any components are damaged.



Place the fork tube on V-blocks and measure the runout.

Actual runout is 1/2 the total indicator reading.

SERVICE LIMIT: 0.20 mm (0.008 in)



fork tube bushing

Visually inspect the slider and fork tube bushings. Replace the bushings if there is excessive scoring or scratching, or if the teflon is worn so that the copper surface appears on more than 3/4 of the entire surface.

Check the back-up ring; replace it if there is any distortion at the points shown.

