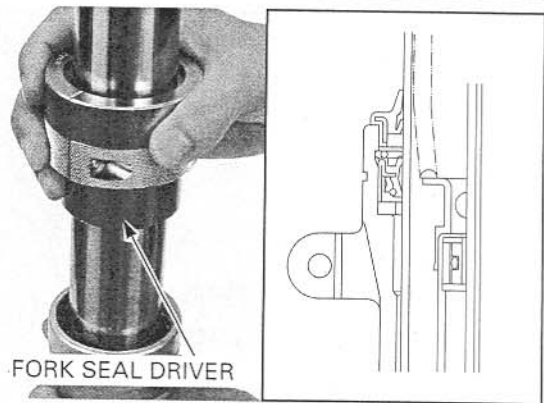


FRONT WHEEL/SUSPENSION/STEERING

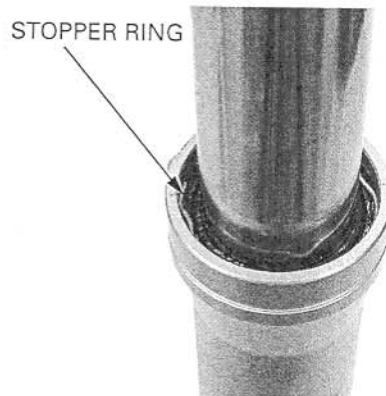
Drive the oil seal in using the special tool.

TOOL:

Fork seal driver, 45 mm I.D. 07KMD-KZ30100 or
07KMD-KZ3010A
(U.S.A. only)



Install the stopper ring into the fork slider groove securely.



Install the dust seal.



Install the fork damper assembly into the fork tube.

