

## FRONT WHEEL/SUSPENSION/STEERING

### U.S.A. only:

Place the steering head bearing outer races using the special tools listed below.

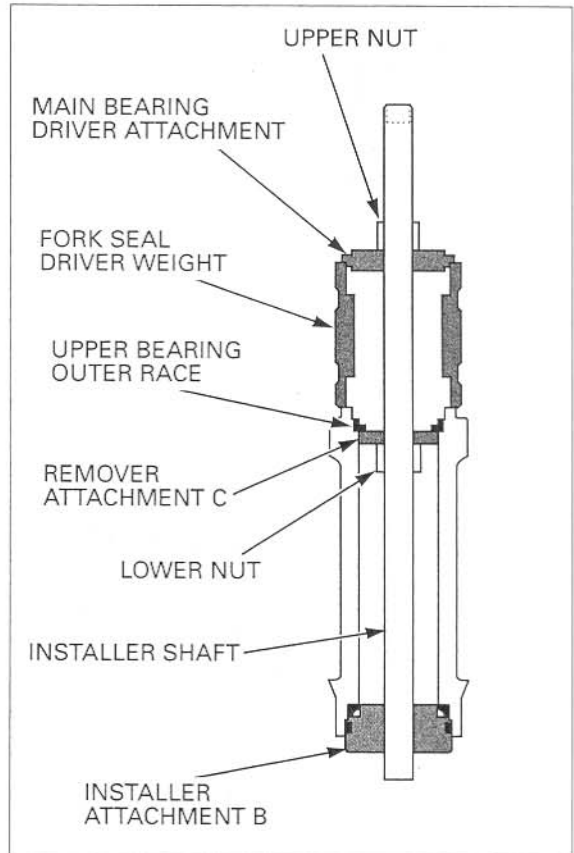
### TOOLS:

Main bearing driver attachment	07946-ME90200
Fork seal driver weight	07947-KA50100
Oil seal driver	07965-MA60000
Installer shaft	07VMF-KZ30200
Installer attachment A	07VMF-MAT0100
Installer attachment B	07VMF-MAT0200
Remover attachment C	07AMF-MEEA100
Remover attachment D	07AMF-MEEA200

Install the special tools into the steering head pipe as shown.

Align the remover attachment C with the groove in the steering head.

While holding the installer shaft with the wrench, turn the upper nut gradually to remove the upper bearing outer race.



Install the special tools into the steering head pipe as shown.

Align the remover attachment D with the groove in the steering head.

While holding the installer shaft with the wrench, turn the lower nut gradually to remove the lower bearing outer race.

