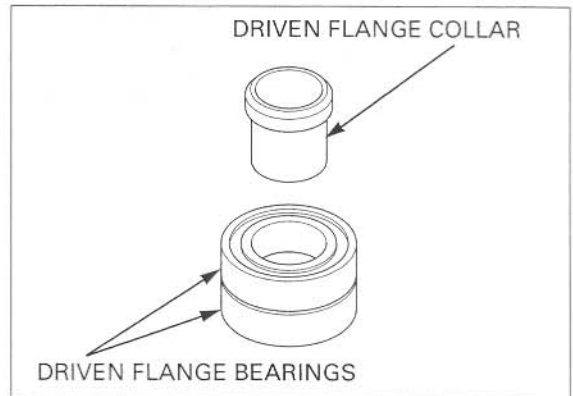


## REAR WHEEL/SUSPENSION

Press the driven flange collar in the new driven flange bearings until it is fully seated.

### TOOLS:

Driver	07749-0010000
Attachment, 28 X 30 mm	07946-1870100
Pilot, 25 mm	07746-0040600

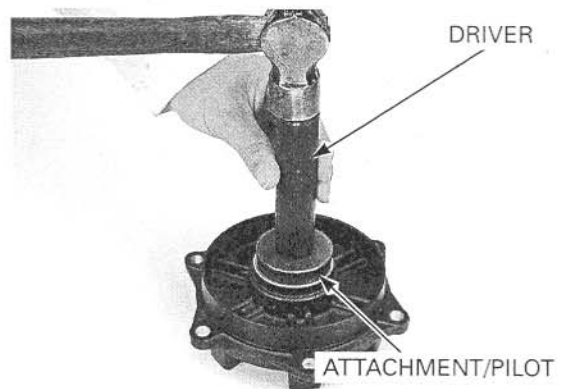


### Driven flange bearing installation

Drive the new driven flange bearings/collar into the driven flange using the special tools.

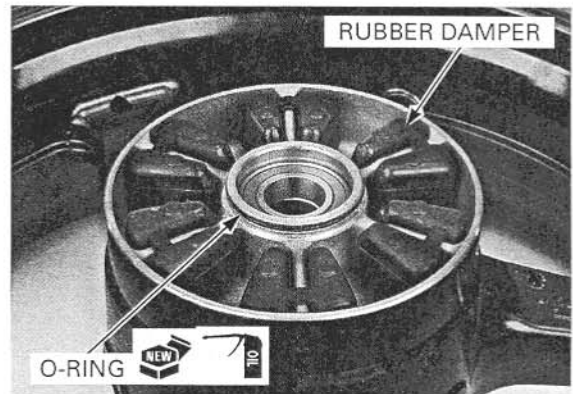
### TOOLS:

Driver	07749-0010000
Attachment, 52 X 55 mm	07746-0010400
Pilot, 25 mm	07746-0040600



Install the wheel rubber dampers into the wheel hub.

Apply oil to a new O-ring and install it into the groove of the wheel hub.



Install the driven flange assembly into the left wheel hub.

If the driven sprocket was removed, install the driven sprocket bolt, sprocket and tighten the nuts to the specified torque.

**TORQUE: 64 N·m (6.5 kgf·m, 47 lbf·ft)**

Apply grease to a new dust seal lip, then install it into the driven flange.

