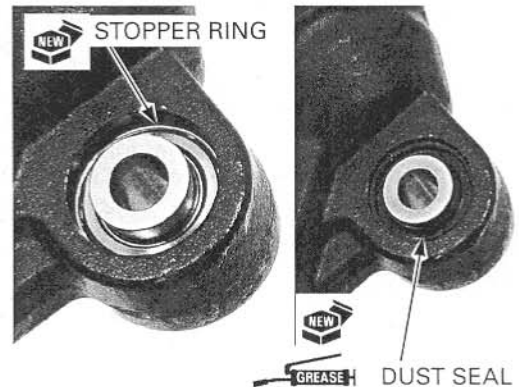


REAR WHEEL/SUSPENSION

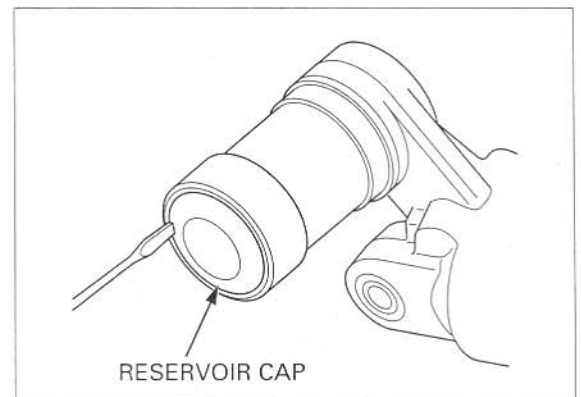
Install a new stopper ring into the groove of the rear shock absorber upper mount securely.

Apply grease to the new dust seal lips and install them into the upper mount.



SHOCK ABSORBER DISPOSAL PROCEDURE

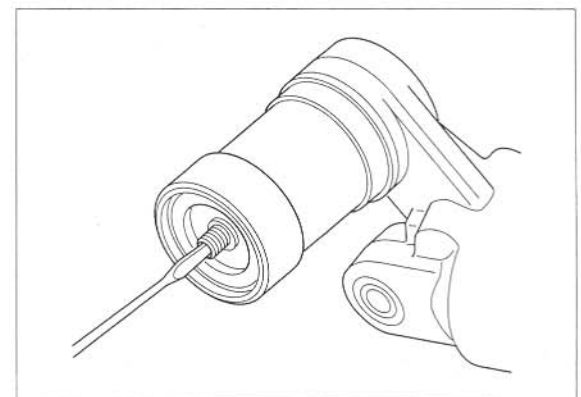
Remove the damper reservoir cap.



Do not remove the valve core until pressure is released.

Put on safety glasses, then release the nitrogen from the reservoir by depressing the valve core.

- Point the valve away from you to prevent debris getting in your eyes.
- Before disposal of the shock absorber, release the nitrogen by pressing the valve core. Then remove the valve from the shock absorber reservoir.



INSTALLATION

Set the shock absorber onto the shock arm with the rebound damping adjuster facing left.

Install the lower mounting bolt.

Tighten the lower mounting nut to the specified torque.

TORQUE: 44 N·m (4.5 kgf·m, 33 lbf·ft)

