

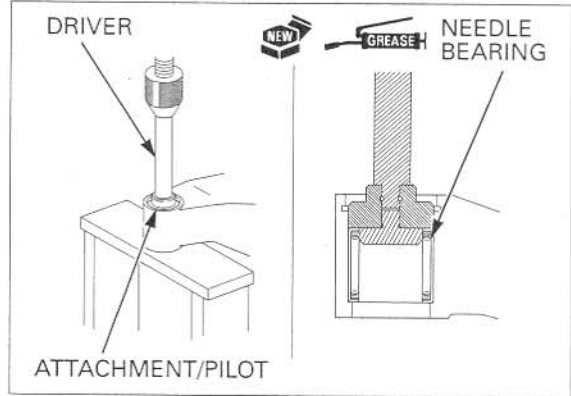
## REAR WHEEL/SUSPENSION

Press the needle bearing into the swingarm with the marked side facing out.

Pack a new needle bearing with grease. Press the needle bearing into the swingarm right pivot until it seats using the special tools and a hydraulic press.

**TOOLS:**

Driver	07749-0010000
Attachment, 37 mm	07ZMD-MBW0200
Pilot, 28 mm	07746-0041100



Press the radial ball bearing into the swingarm with the marked side facing out.

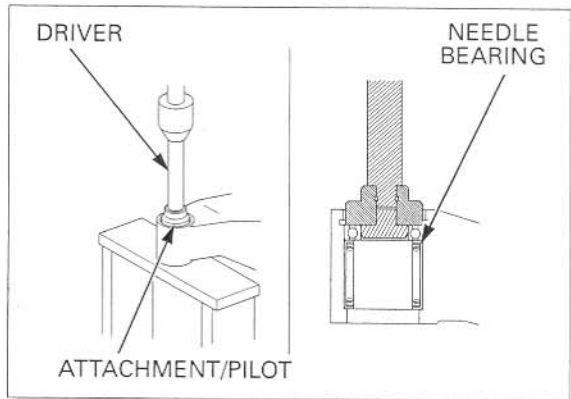
Press the new radial ball bearing in using the special tools and a hydraulic press.

**TOOLS:**

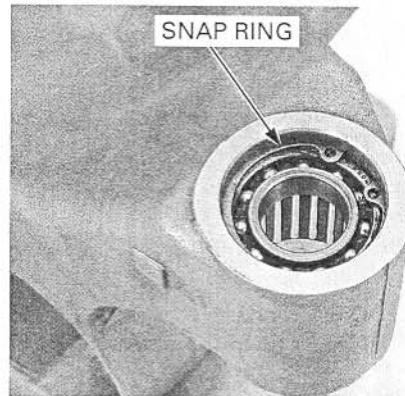
Driver	07749-0010000
Attachment, 37 X 40 mm	07746-0010200
Pilot, 20 mm	07746-0040500

or

Driver	07749-0010000
Attachment, 37 mm	07ZMD-MBW0200
Pilot, 20 mm	07746-0040500



Install the snap ring into the groove securely.



Press the needle bearing into the swingarm with the marked side facing out.

Press a new left side pivot needle bearing into the swingarm pivot so that the needle bearing surface is 5.0 – 6.0 mm (0.20 – 0.24 in) below the end of the swingarm pivot surface using the special tools and a hydraulic press.

**TOOLS:**

Driver	07749-0010000
Attachment, 37 X 40 mm	07746-0010200
Pilot, 28 mm or	07746-0041100

or

Driver	07749-0010000
Attachment, 37 mm	07ZMD-MBW0200
Pilot, 28 mm	07746-0041100

