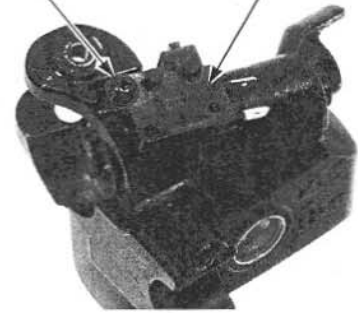


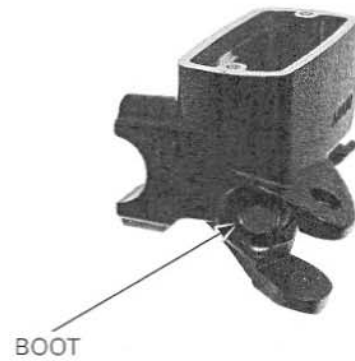
HYDRAULIC BRAKE

Remove the screw and brake light switch.

SCREW BRAKE LIGHT SWITCH



Be careful not to damage the boot. Remove the boot.



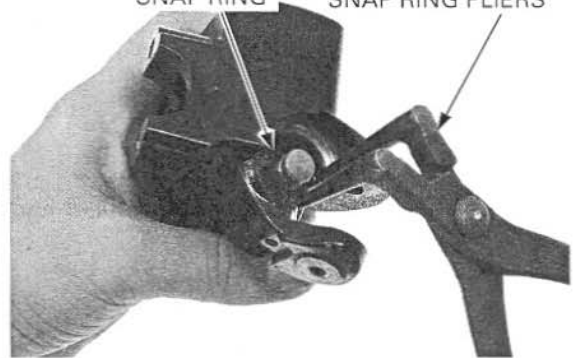
Remove the snap ring from the master cylinder body using the special tool as shown.

TOOL:

Snap ring pliers

07914-SA50001

SNAP RING SNAP RING PLIERS



Remove the master piston and spring.

Clean the inside of the cylinder and reservoir with clean brake fluid.

SPRING

