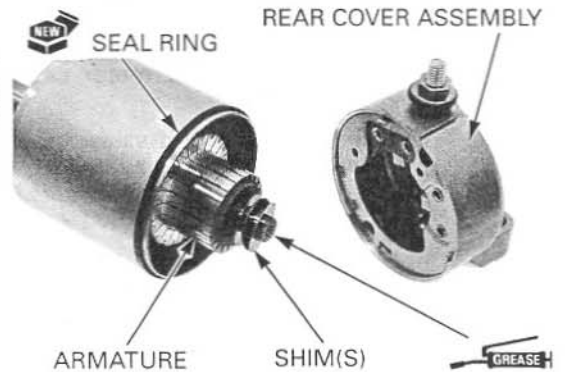


## ELECTRIC STARTER

*Install the shims properly as noted during removal.*

Install a new seal ring onto the motor case.  
Install the shim(s) onto the armature shaft.  
Apply thin coat of grease to the armature shaft end.

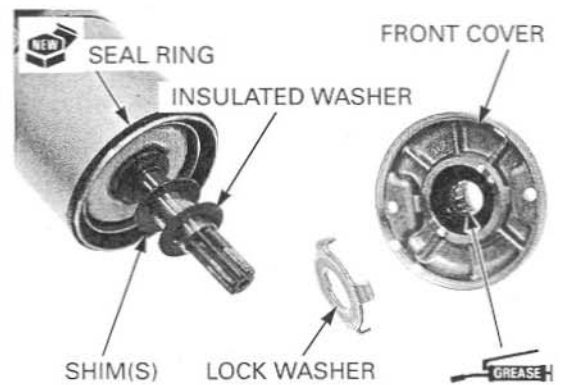
Install the rear cover assembly, while pushing in the brushes into the brush holder and aligning the brush holder tab with the motor case groove.



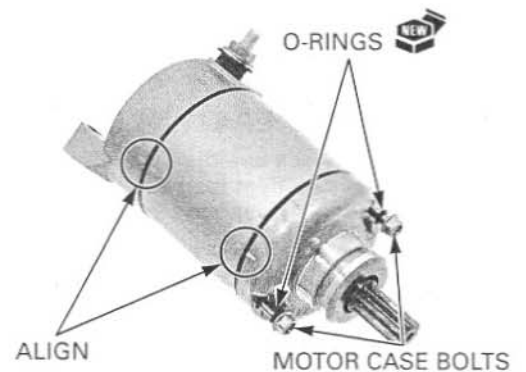
*Install the shims properly as noted during removal.*

Install the shim(s) and insulated washer onto the armature shaft.  
Install a new seal ring onto the motor case.  
Apply grease to the oil seal lip and needle bearing in the front cover.

Install the lock washer onto the front cover.  
Install the front cover.



Make sure the index lines are aligned.  
Install the new O-rings onto the motor case bolts.  
Install and tighten the case bolts securely.



Coat a new O-ring with oil and install it into the starter motor groove.

