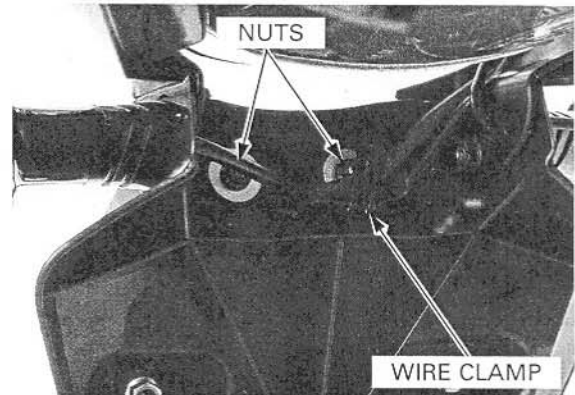


LIGHTS/METERS/SWITCHES

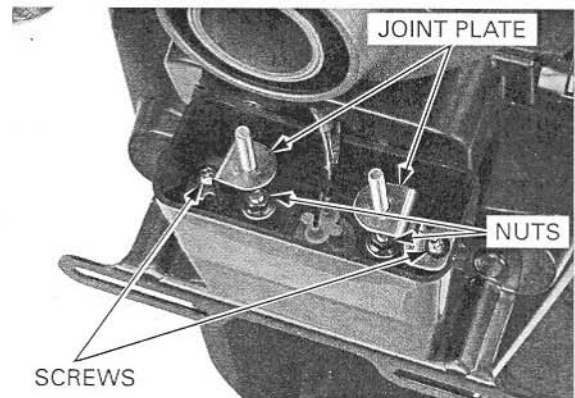
LICENCE LIGHT

REMOVAL/INSTALLATION

Remove the two nuts and wire clamp.

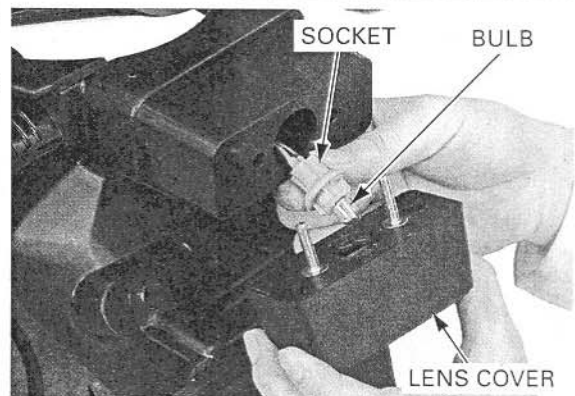


Remove the two screws and joint plates.
Remove the two nuts and lens cover.



Turn the licence light bulb socket counterclockwise and remove it from the lens cover.

Remove the bulb from the socket, replace it with a new one.



Install the licence light bulb socket in the reverse order of removal.

