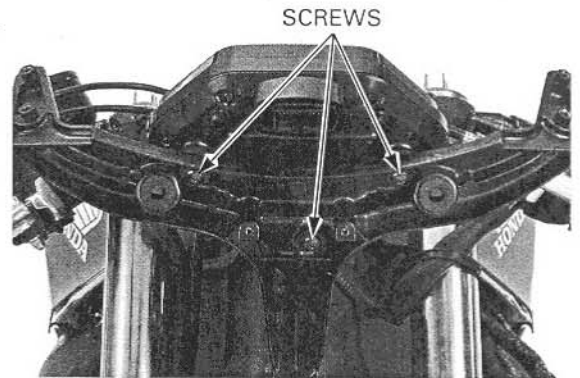


COMBINATION METER

REMOVAL

Remove the upper cowl (page 3-9).

Remove the three screws and combination meter from the bracket.

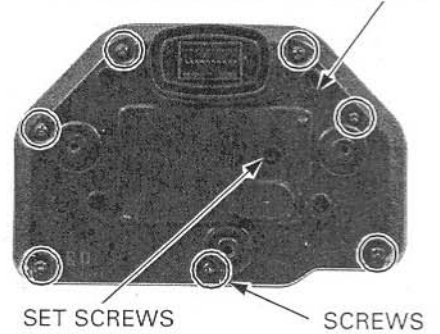


DISASSEMBLY/ASSEMBLY

Remove the screws and separate the front cover from the rear cover.

Remove the set screw that holds the combination meter print board to the rear cover.

COMBINATION METER REAR COVER



Assemble the combination meter in the reverse order of removal.

