


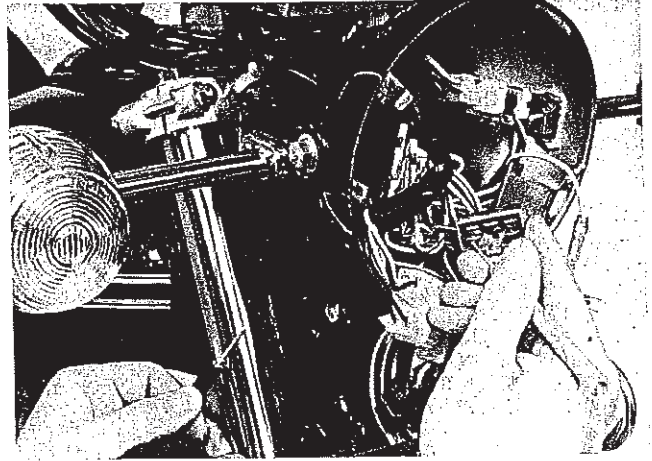


HORN SWITCH

Disconnect the horn switch coupler (red coupler).

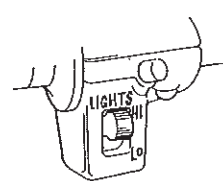
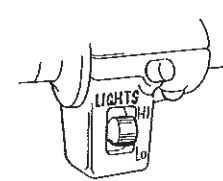
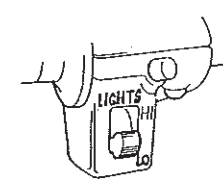
(1) SWITCH POSITION	(2) WIRE COLOR	(3) LIGHT GREEN	(4) GROUND
 "ON"		○	○

There should be continuity as indicated by O—O when the horn button is pushed.



DIMMER SWITCH

Disconnect the dimmer switch coupler (red coupler) and wire connectors (blue/white wire and white wire).

(1) SWITCH POSITION	(2) WIRE COLOR	(3) WHITE	(4) BLUE	(5) BLUE/ WHITE
 "HI"			○	○
		○	○	○
 "LO"		○		○

There should be continuity as indicated by O—O in the table.

