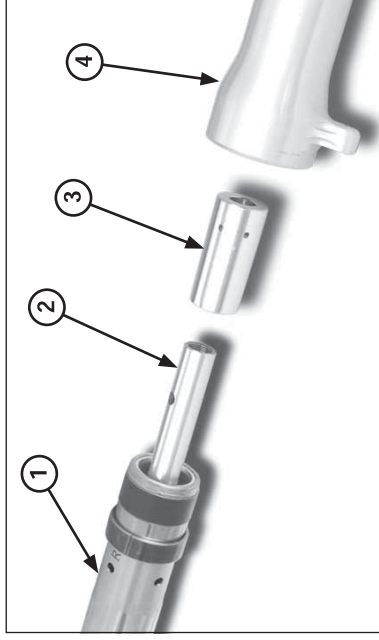


- (1) CILINDER ASSY
- (2) PISTON RING
- (3) REBOUND SPRING
- (4) TAPERED BUSHING

Left Fork Inspection

Check the following items (page 1-4):

- Inside fork slider for damage or deformation
- Fork tube runout
- Fork spring free length
- Fork tube for score marks, scratches and excessive wear
- Bushing/back-up ring (page 4-5)
- Fork piston ring for wear or damage
- Tapered bushing for damage
- Rebound spring for fatigue or other damage



- (1) FORK TUBE
- (2) CILINDER ASSY
- (3) TAPERED BUSHING
- (4) FORK SLIDER

Left Fork Assembly

Clean the parts thoroughly with non-flammable or high flush point solvent before assembly.

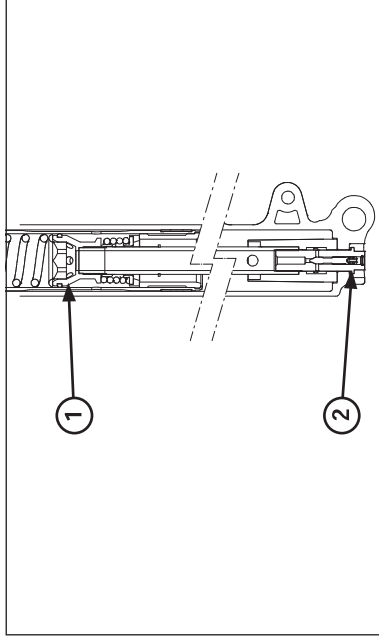
Apply fork fluid to the piston ring.

Install the cilinder assy into the fork tube.

Install the tapered bushing on the end of the cilinder assy.

NOTICE

The tapered bushing is easy to scratched or deformed. Take care not to damage it when assembling it.



- (1) CILINDER ASSY
- (2) CENTER BOLT

Hold the axle holder in a vise protected with a piece of wood or soft jaws to avoid damage. Do not overtighten the vise.

Install the center bolt with a new sealing washer.

Hold the cylinder assembly using the special tool and tighten the center bolt to the specified torque.

Tool:

Fork damper holder

07930-KA50100

Torque: 23,5-25,5 N•m (2,39-2,59 kgf•m)