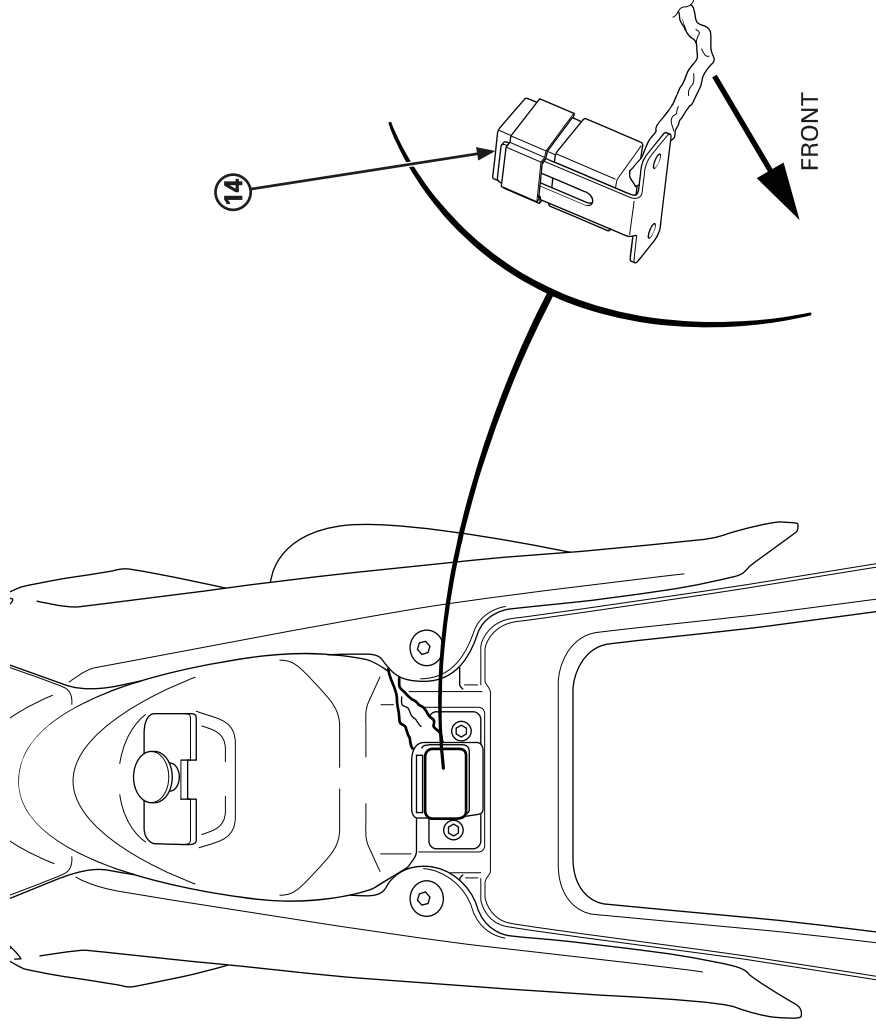


- (1) SPEEDOMETER
- (2) 2P CONNECTOR (POSITION LIGHT)
- (3) LEFT FRONT TURN SIGNAL CONNECTORS
- (4) 9P CONNECTOR (LIGHT SWITCH)
- (5) 9P CONNECTOR (SUB-HARNESS)
- (6) 3P CONNECTOR (SPEED SENSOR)
- (7) 4P CONNECTOR (MIL)
- (8) 2P CONNECTOR (FUEL LEVEL)
- (9) CONNECTOR (OBD)
- (10) 6P CONNECTOR (SPEEDOMETER)
- (11) RIGHT FRONT TURN SIGNAL CONNECTORS
- (12) FRONT BRAKE SWITCH
- (13) WINKER RELAY



- (8) 2P CONNECTOR (FUEL LEVEL)
- (9) CONNECTOR (OBD)
- (10) 6P CONNECTOR (SPEEDOMETER)
- (11) RIGHT FRONT TURN SIGNAL CONNECTORS
- (12) FRONT BRAKE SWITCH
- (13) WINKER RELAY
- (14) FAN RELAY