

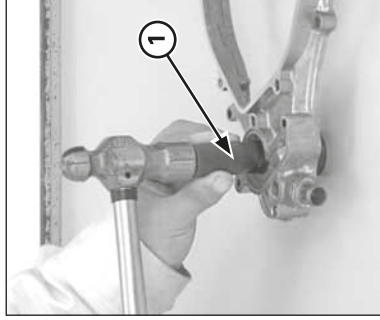
(1) BEARING REMOVER, 12 MM

Remove the water pump bearing from the right crankcase cover using the special tools.

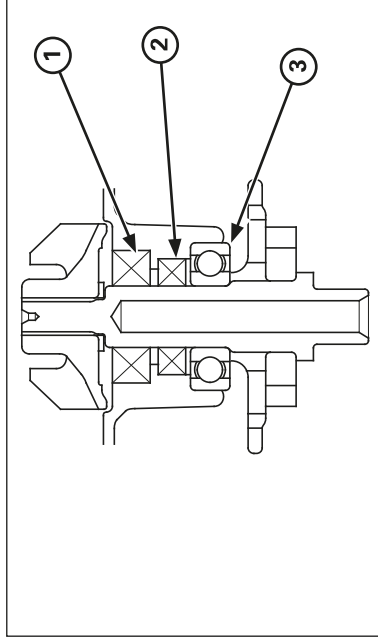
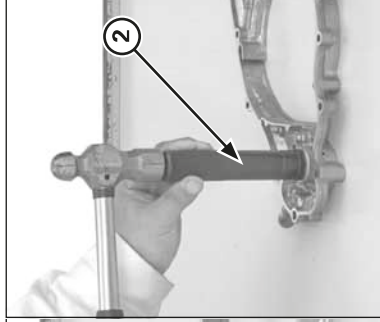
**Tools:**

- Bearing remover, 12 mm**    **Generic tool**
- Remover shaft            **07936-1660120**
- Remover weight          **07741-0010201**

Remove the oil seal and water seal.



(1) WATER SEAL DRIVER  
(2) DRIVER/ATTACHMENT



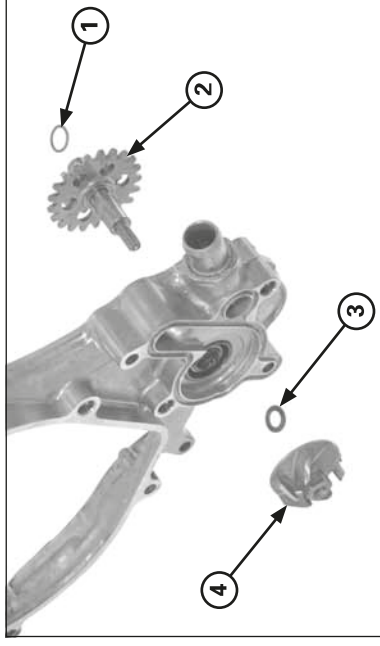
(1) WATER SEAL  
(2) OIL SEAL  
(3) BEARING

Install the water seal into the right crankcase cover in the direction shown in the illustration above.

**Tool:**

**Water seal driver            07945-KA30000**

Install a new oil seal in the direction shown in the illustration above.  
Drive the new bearing into the right crankcase cover (Tools; page 1-7).



(1) WASHER  
(2) WATER PUMP SHAFT  
(3) NEW COPPER WASHER  
(4) IMPELLER

Install the water pump shaft, new copper washer and impeller into the right crankcase cover.  
Hold the water pump gear using a suitable tool and tighten the impeller to the specified torque.

**Torque: 12 N·m (1.2 kgf·m, 9 lbf·ft)**

Install the washer and right crankcase cover (page 3-41).