

(1) FORK BOLT  
(2) FORK LEG

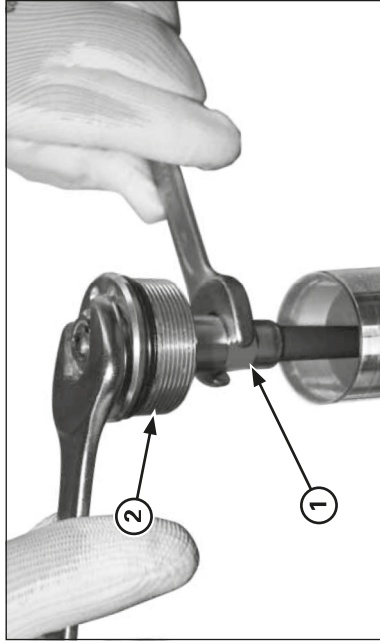
**Right Fork Disassembly**

Before disassembling the fork, clean the entire sliding surface and the bottom of the fork slider.

Be careful not to scratch the fork tube.

A scratched fork tube will damage the seal, causing an oil leak.

Hold the fork tube, remove the fork bolt and slide the fork tube down.

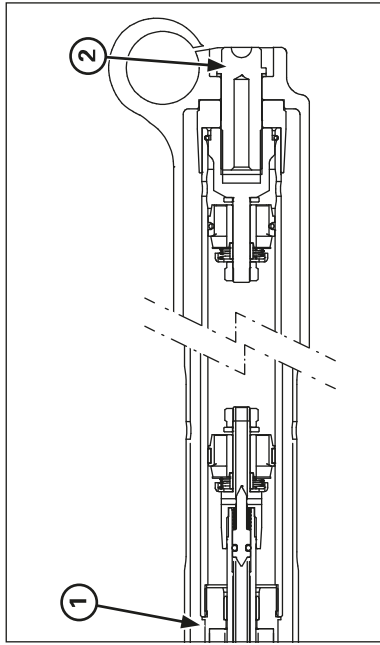


(1) LOCK NUT  
(2) FORK BOLT



Make sure the damping adjuster is in clicked position and is not in between the position.  
Hold the lock nut and remove the fork bolt from the damper rod.  
Do not remove the lock nut from the damper rod.

Pour out the fork fluid.



(1) FORK DAMPER  
(2) RIGHT FORK CENTER BOLT

Hold the axle holder in a vise protected with a piece of woods or soft jaws to avoid damage.  
Do not overtighten.

Loosen the right fork center bolt.  
Remove the center bolt and sealing washer.