

PRIMARY DRIVE GEAR INSTALLATION

Install gear holder and install drive gear bolt and washer together

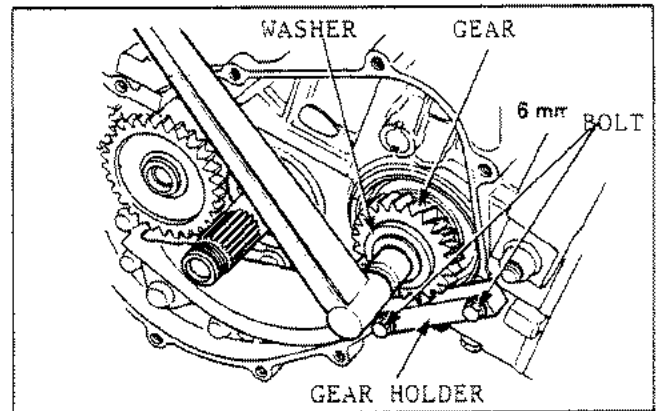
Torque: 5.0-6.0 Kg-m

Special Tool:

Gear Holder : 07HMB-KV30100

Install clutch

Install R. crankcase cover (8.15)



CLUTCH INSTALLATION

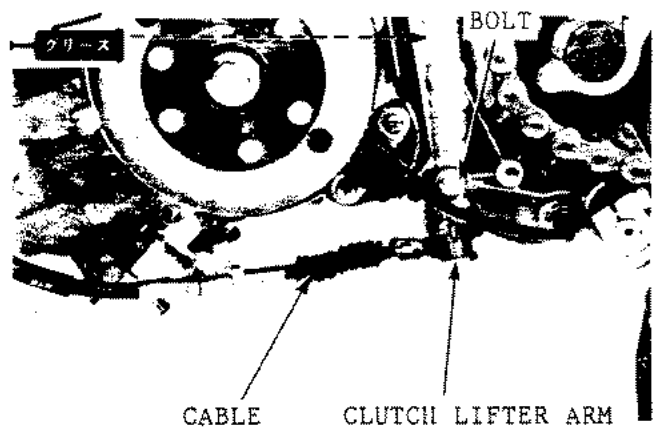
Clutch Lifter Arm Installation

Apply molybdenum grease to spindle lifter rod connection
Insert clutch lifter arm and install clutch lifter arm stopper bolt.

Torque: 0.8-1.2Kg-m

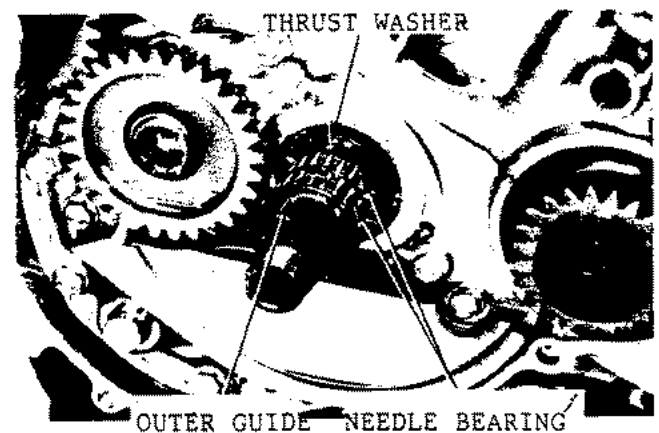
Install clutch cable into lifter arm

Install L. crankcase cover (10.3)
Install exhaust chamber (15.7)



CLUTCH INSTALLATION

Install clutch outer guide and needle bearing into main shaft



Apply molybdenum grease to clutch outer
Install clutch outer, thrust washer into main shaft

* If it is difficult to install clutch outer, turn the kickstarter idle gear in order to make it easier to enter

