

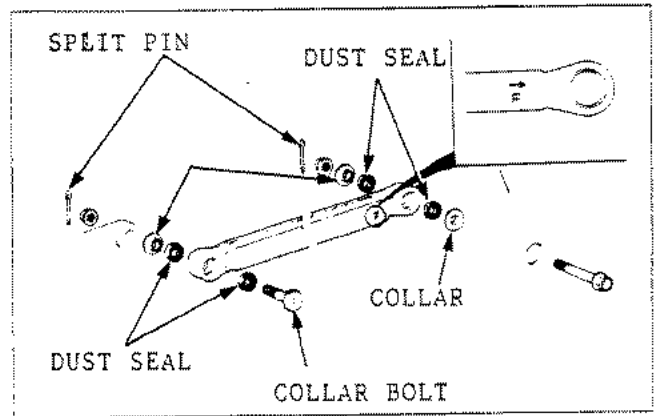
NSR250R(K)

REAR BRAKE TORQUE ROD

Removal

Remove split pin

Remove bolt and nut and remove torque rod

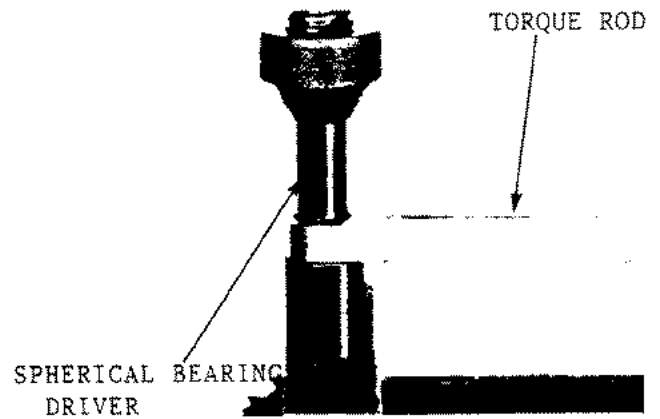


SPHERICAL BEARING REPLACEMENT

Remove collar and dust seal

Use hydraulic press to remove bearing

Spherical Bearing Driver 07HMF-HC00100



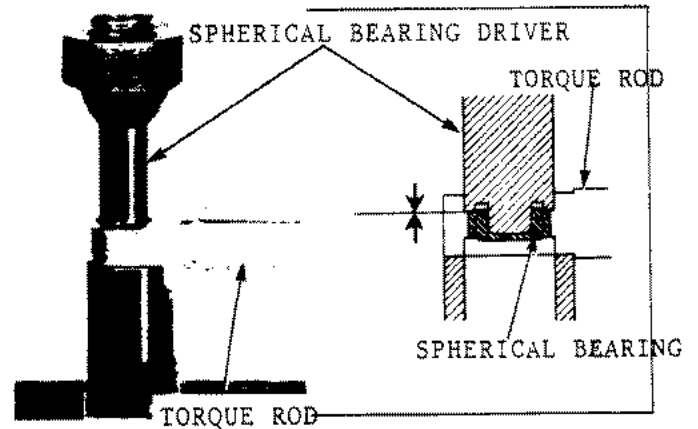
Use hydraulic press and install bearing

Special tool:
Spherical Bearing Driver 07HMF-HC00100

* Insert bearing to face (as illustrated)

Apply molybdenum to dust seal

Install collar



Installation

Install torque rod to frame

* Face F mark on torque rod to the front

Install bolt, nut and collar to frame and tighten

Install new split pin

