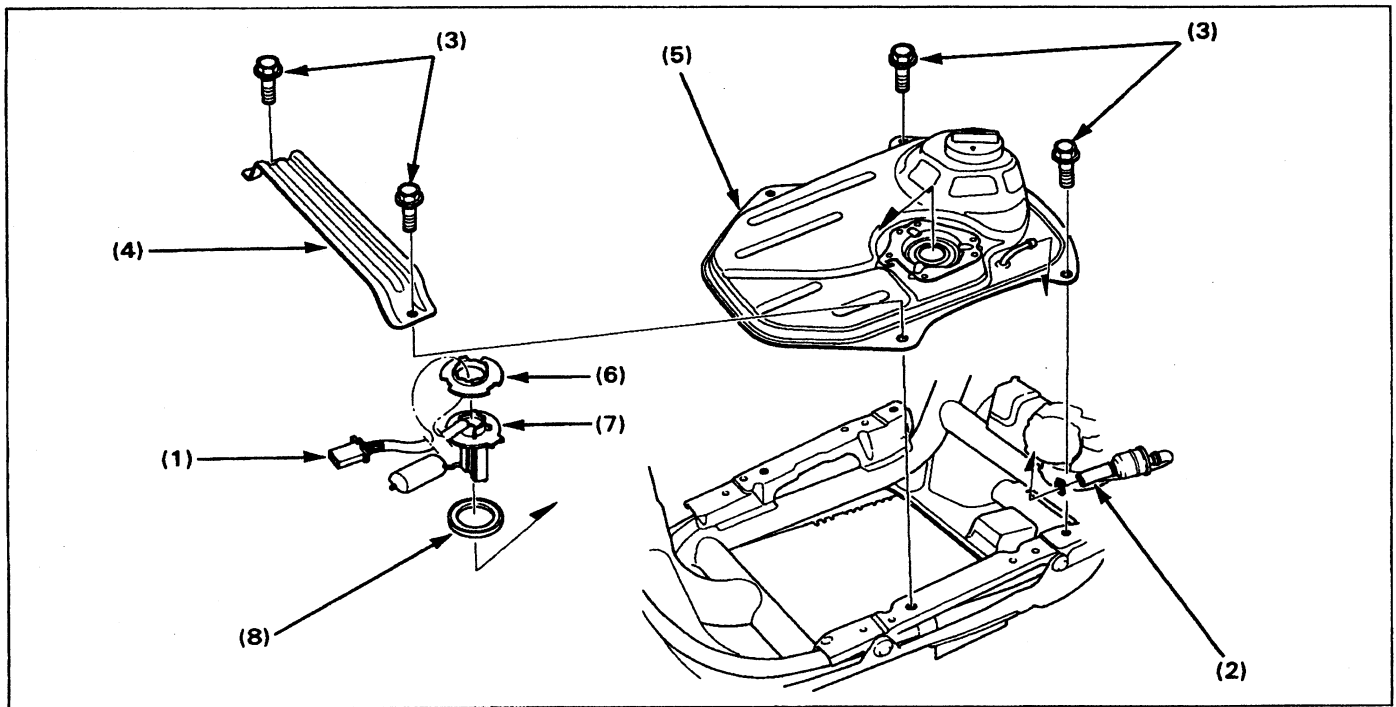


## Fuel Tank Removal/Installation



**▲ WARNING**

• Gasoline is extremely flammable and is explosive under certain condition. KEEP OUT OF REACH OF CHILDREN.

• Work in a well ventilated area. Smoking or allowing flames or sparks in the work area or where gasoline is stored can cause a fire or explosion.

### Requisite Service

• Front inner cover removal/installation (page 2-6)

| Procedure                |                          | Q'ty | Remarks   |
|--------------------------|--------------------------|------|---|
| <b>Removal Order</b>     |                          |      | Installation is in the reverse order of removal.                            |
| (1)                      | Fuel unit wire connector | 1    | NOTE<br>• Plug or clamp the fuel line to prevent gasoline from flowing out. |
| (2)                      | Fuel line                | 1    |   |
| (3)                      | Fuel tank mounting bolt  | 4    |   |
| (4)                      | Floor plate              | 1    |   |
| (5)                      | Fuel tank                | 1    |   |
| <b>Fuel level sensor</b> |                          |      |   |
| (6)                      | Retainer                 | 1    |   |
| (7)                      | Fuel level sensor        | 1    |   |
| (8)                      | Seal rubber              | 1    |   |