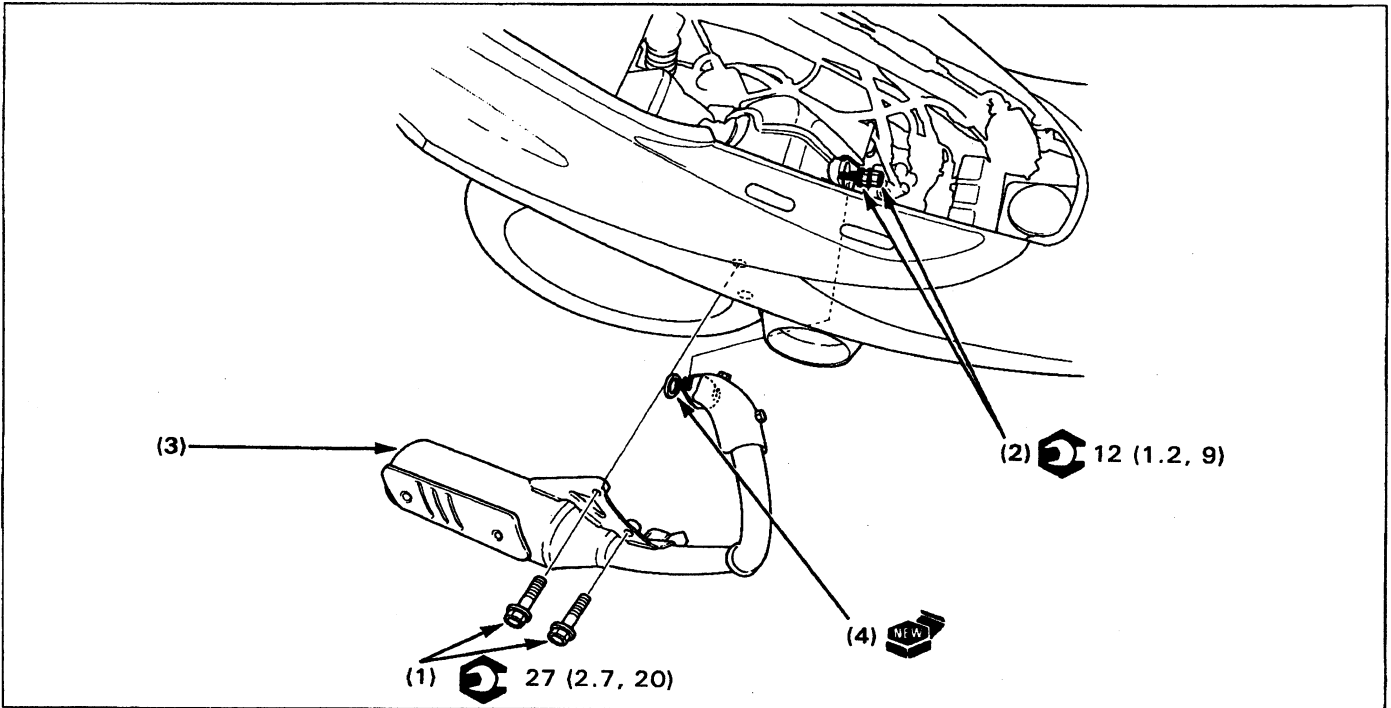


## Muffler Removal/Installation



**⚠ WARNING**

• Serious burns may result if the exhaust system is not allowed to cool before components are removed or serviced.

### Requisite Service

- Center cover removal/installation (page 2-4)

Procedure	Q'ty	Remarks
<b>Removal Order</b>		Installation is in the reverse order of removal.
(1) Muffler mounting bolt	2	
(2) Exhaust pipe joint nut	2	Loosen.
(3) Muffler	1	
(4) Exhaust pipe gasket	1	