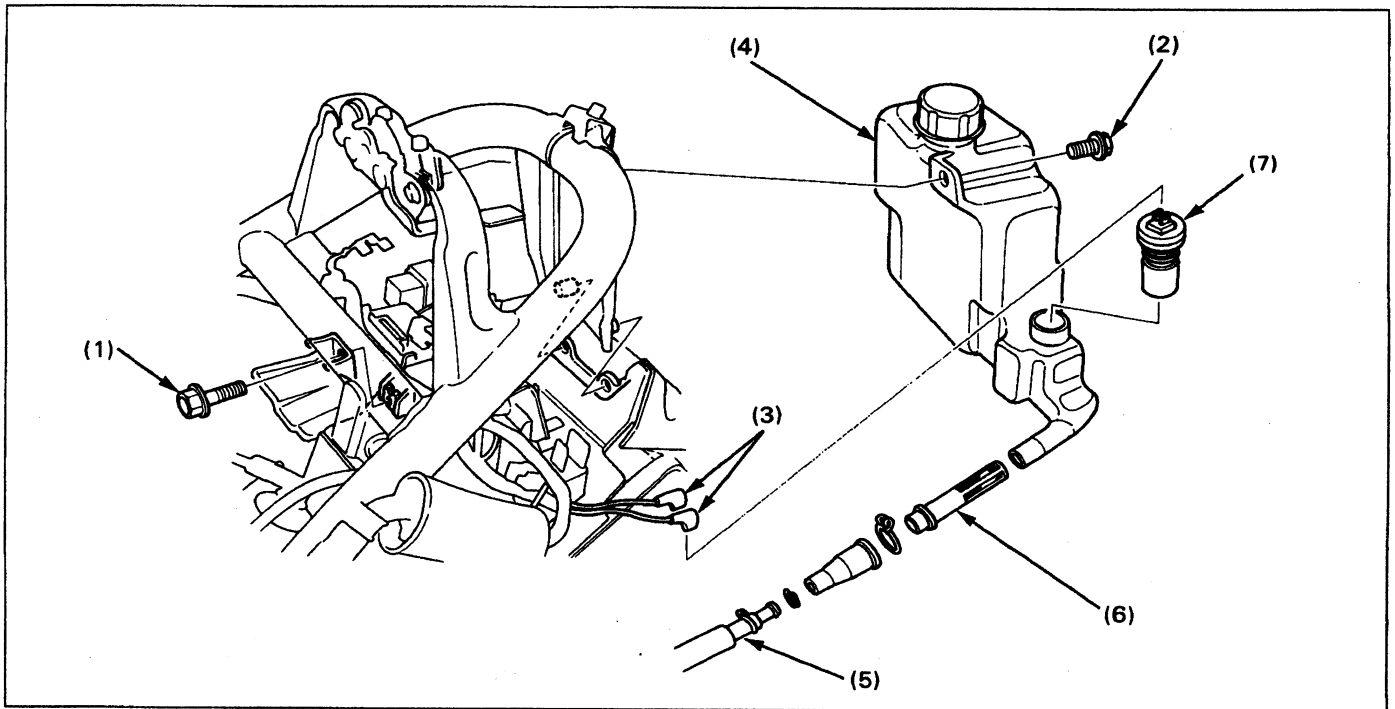


Oil Tank Removal/Installation



NOTE

• After installing the oil tank, perform the oil pump/oil line bleeding referring to page 4-11 of the Common Service Manual.

Requisite Service

- Battery removal/installation (page 13-4)
- Ignition coil removal/installation (page 14-6)
- Rear combination dummy removal/installation (page 16-4)

Procedure		Q'ty	Remarks
Removal Order			Installation is in the reverse order of removal.
(1)	Rear fender mounting bolt	1	
(2)	Oil tank mounting bolt	1	
(3)	Oil level switch connector	2	
(4)	Oil tank	1	Slide the rear fender down and remove the tank.
(5)	Oil inlet tube	1	NOTE • Disconnect the tube at the oil pump and drain the oil into the clean container.
(6)	Oil strainer		
(7)	Oil level switch		