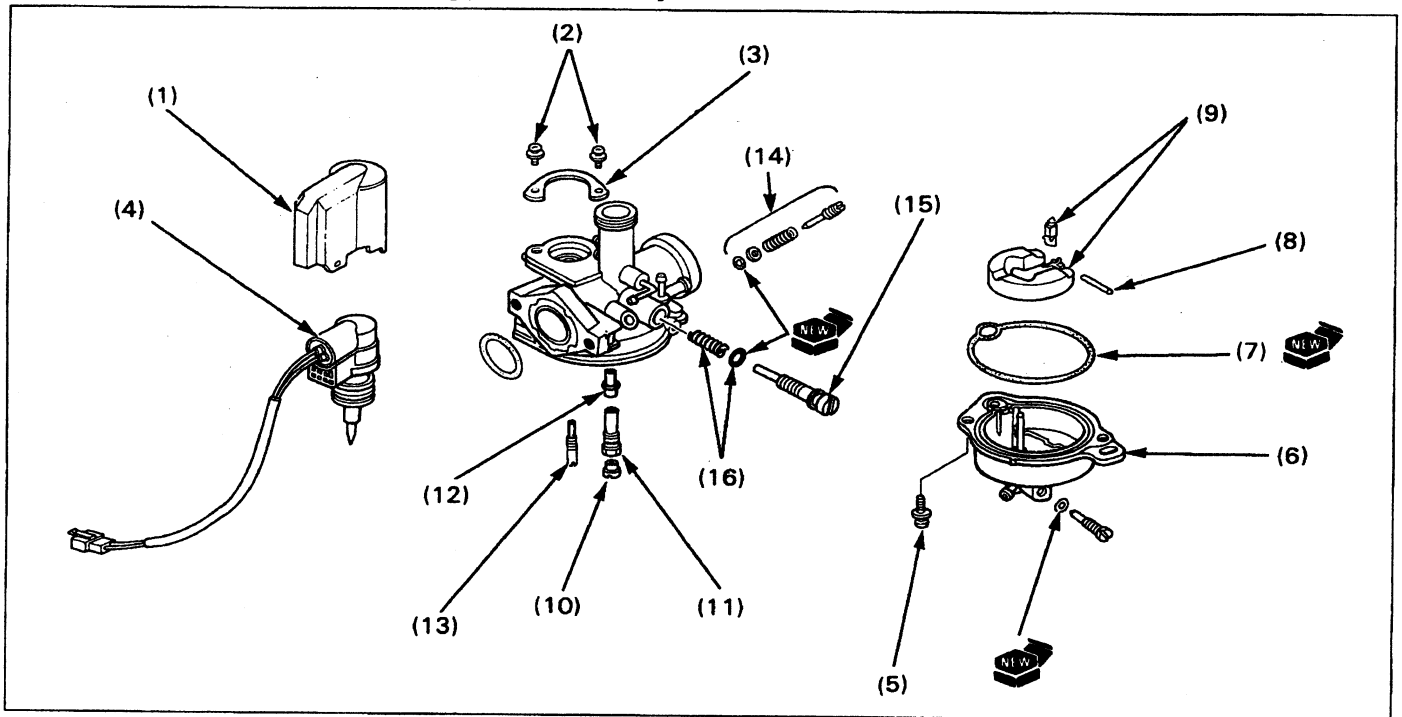


Carburetor Disassembly/Assembly



Requisite Service

- Carburetor removal/installation (page 5-3)

Procedure	Q'ty	Remarks
Disassembly Order (1) Auto bystarter cover (2) Screw (3) Auto bystarter set plate (4) Auto bystarter	1 2 1 1	Assembly is in the reverse order of disassembly.
Float chamber (5) Screw (6) Float chamber (7) O-ring (8) Float pin (9) Float/float valve	2 1 1 1 1/1	
Carburetor body (10) Main jet (11) Main jet holder (12) Needle jet holder (13) Slow jet (14) Air screw (15) Throttle stop screw (16) Spring/O-ring	1 1 1 1 1 1 1/1	NOTE • After installing the carburetor, adjust the idle speed.