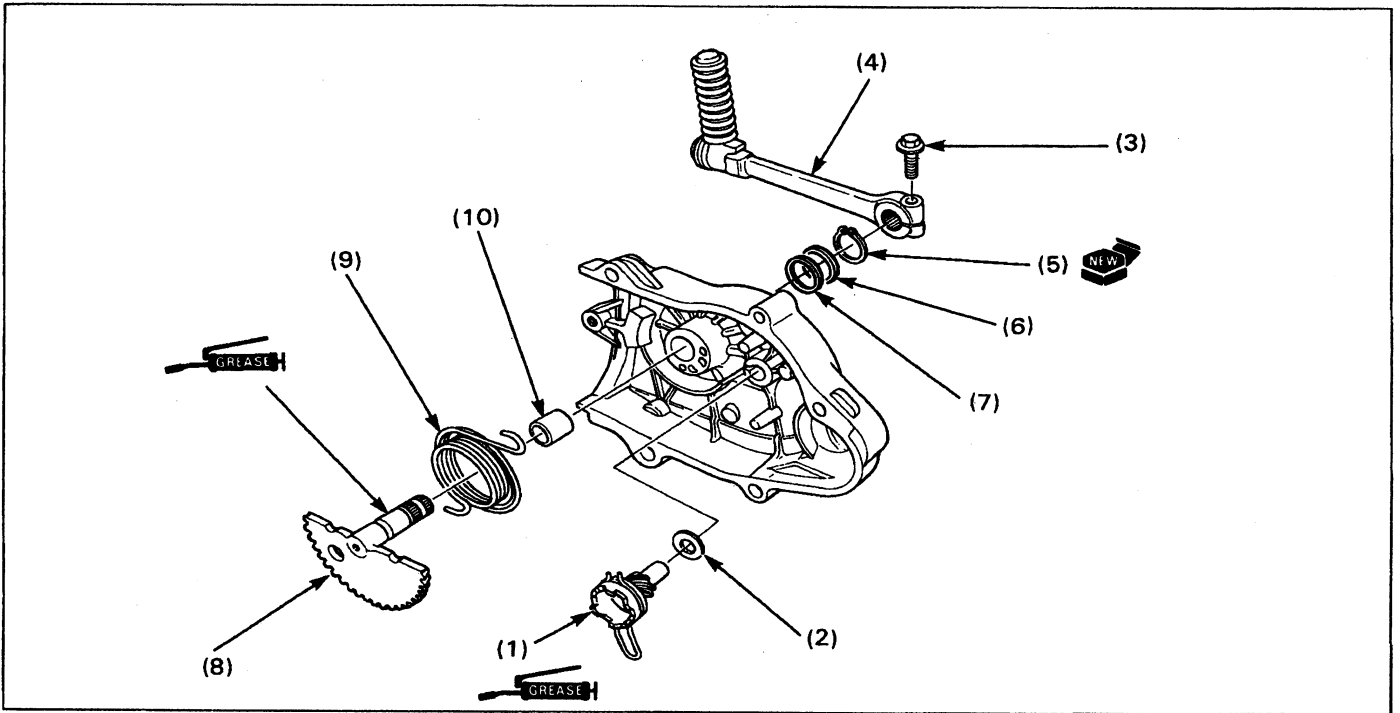


Kickstarter Removal/Installation



Requisite Service

- Left crankcase cover removal/installation (page 8-2)

Procedure		Q'ty	Remarks
(1)	Removal Order Kickstarter driven gear	1	Installation is in the reverse order of removal. Remove while turning the kickstarter pedal. Installation (page 8-4)
(2)	Thrust washer	1	
(3)	Bolt	1	
(4)	Kickstarter pedal	1	
(5)	Snap ring	1	
(6)	Washer	1	
(7)	Copper washer	1	
(8)	Kickstarter spindle	1	
(9)	Kickstarter return spring	1	
(10)	Spindle bushing	1	