

Kickstarter/Drive Pulley/Clutch/Driven Pulley

Drive Pulley Face Removal/Installation

Hold the drive pulley face with the clutch center holder and remove the nut.

Remove the washer and drive pulley face from the crankshaft.

S. TOOL

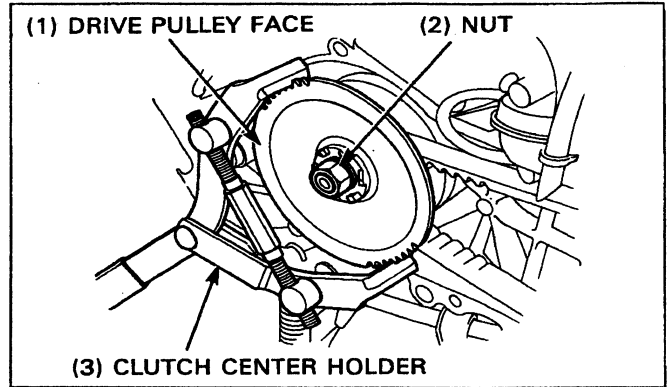
Clutch center holder

07724-0050001

Installation is in the reverse order of removal.

NOTE

- Align the splines of the drive pulley face and crankshaft properly.



Clutch Outer Nut Removal/Installation

Hold the clutch outer with the universal holder and remove the clutch outer nut.

S. TOOL

Universal holder

07725-0030000

Installation is in the reverse order of removal.

