

Kickstarter/Drive Pulley/Clutch/Driven Pulley

| Procedure | | Q'ty | Remarks | |
|-----------|--------------------------------------|------|--|---|
| (13) | Assembly Order Driven face | 1 | NOTE • Pack 5.0–5.5 g (0.18–0.19 oz) of specified grease to the inside when installing. Drive in with the sealed side facing down. Press in with the sealed side facing up | |
| (12) | Outer bearing | 1 | | |
| (11) | Snap ring | 1 | | |
| (10) | Inner bearing | 1 | | |
| (9) | Oil seal | 2 | | |
| (8) | O-ring | 2 | | |
| (7) | Movable driven face | 1 | | |
| (6) | Guide pin | 2 | | |
| (5) | Seal collar | 1 | | |
| (4) | Driven face spring | 1 | | |
| (3) | Spring collar | 1 | | |
| (f) | Clutch drive plate | 1 | | NOTE • Note the installation direction. |
| (e) | Damper rubber | 3 | | |
| (c) | Clutch shoe | 3 | | |
| (b) | Washer | 3 | | |
| (a) | Snap ring | 3 | | |
| (d) | Clutch shoe spring | 3 | | |
| (2) | Clutch assembly | 1 | | |
| (1) | 28 mm special nut | 1 | | |

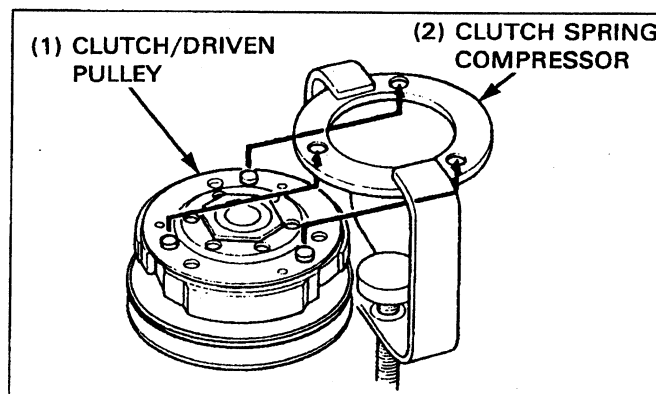
28 mm Special Nut Removal/Installation

Align the holes in the clutch spring compressor with the bosses on the clutch drive plate and install the compressor on the clutch/driven pulley.

S.TOOL

Clutch spring compressor

07960–KM10000



Hold the clutch spring compressor in a vise.
Remove the 28 mm special nut with the socket wrench.

S.TOOL

Socket wrench

07GMA–KS40100

Installation is in the reverse order of removal.

