

Driveshaft Replacement

Press the driveshaft out of the transmission cover.

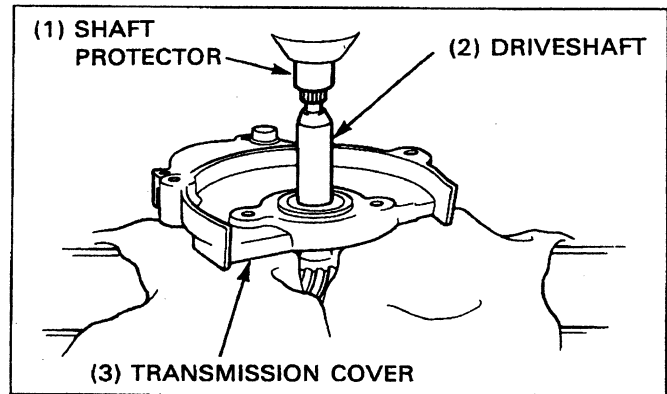
NOTE

• Be careful not to damage the cover mating surface.

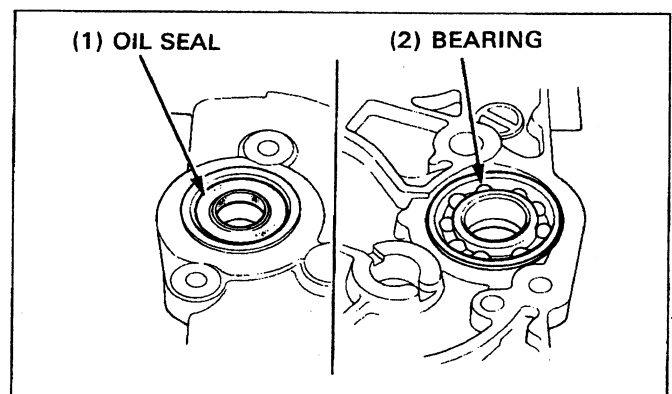
S. TOOL

Shaft protector

07931 - 1870000



Remove the driveshaft oil seal and bearing from the transmission cover.



Drive a new bearing into the transmission cover with the marking facing out.

S. TOOL

Driver

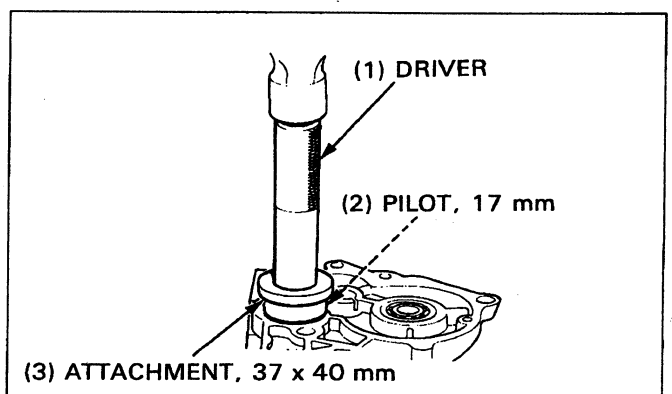
07749 - 0010000

Attachment, 37 x 40 mm

07746 - 0010200

Pilot, 17 mm

07746 - 0040400



Pull the driveshaft into the bearing in the transmission cover.

S. TOOL

Crankcase assembly collar

07965 - GM00100

Crankcase assembly shaft

07965 - GM00300

Install a new driveshaft oil seal.

