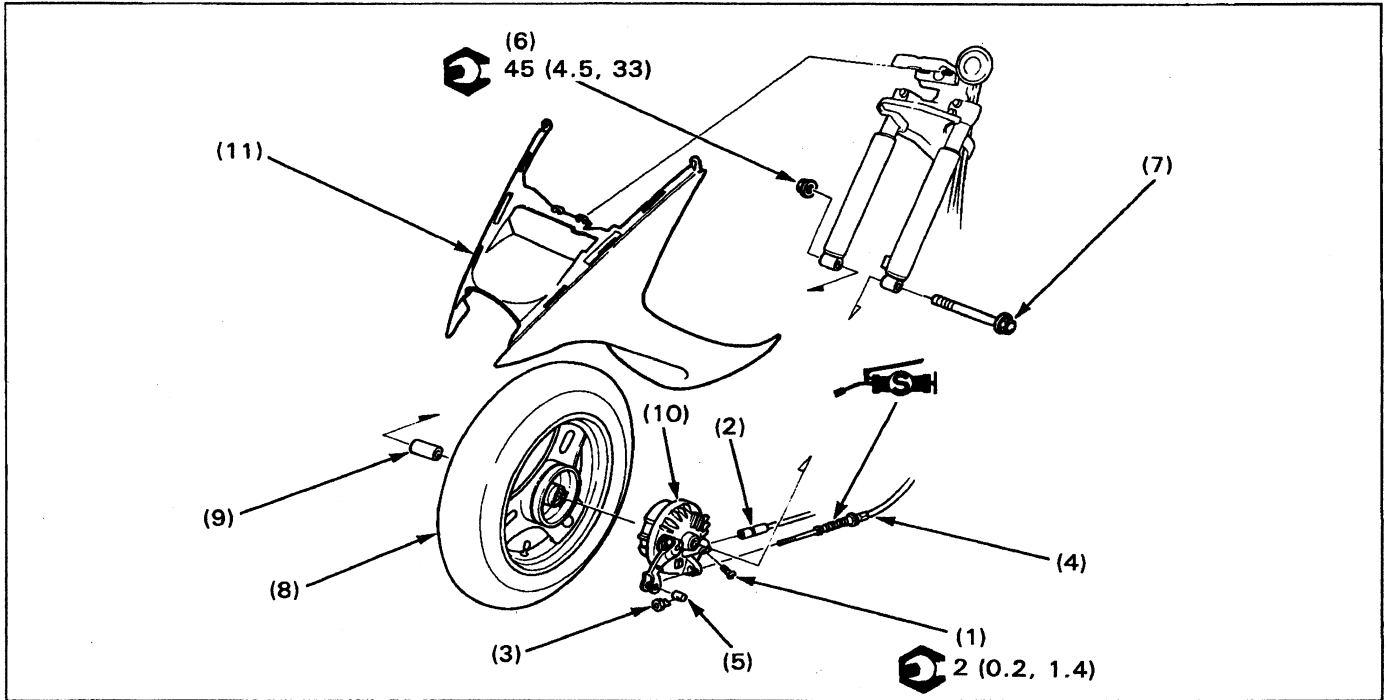


Front Wheel Removal/Installation



NOTE

• After installing the front wheel, adjust the front brake.

Requisite Service

When removing the front fender:

• Front inner cover (page 2-6)

• Side cover removal/installation (page 2-3)

Procedure		Q'ty	Remarks	
Removal Order			Installation is in the reverse order of removal.	
(1)	Speedometer cable set screw	1		
(2)	Speedometer cable	1		
(3)	Front brake adjusting nut	1		
(4)	Front brake cable	1		
(5)	Brake arm joint	1		
(6)	Front axle nut	1		
(7)	Front axle	1		
(8)	Front wheel	1		Disassembly/Assembly (page 11-3)
(9)	Side collar	1		
(10)	Front brake panel	1		Disassembly/assembly (page 11-4)
(11)	Front fender	1		