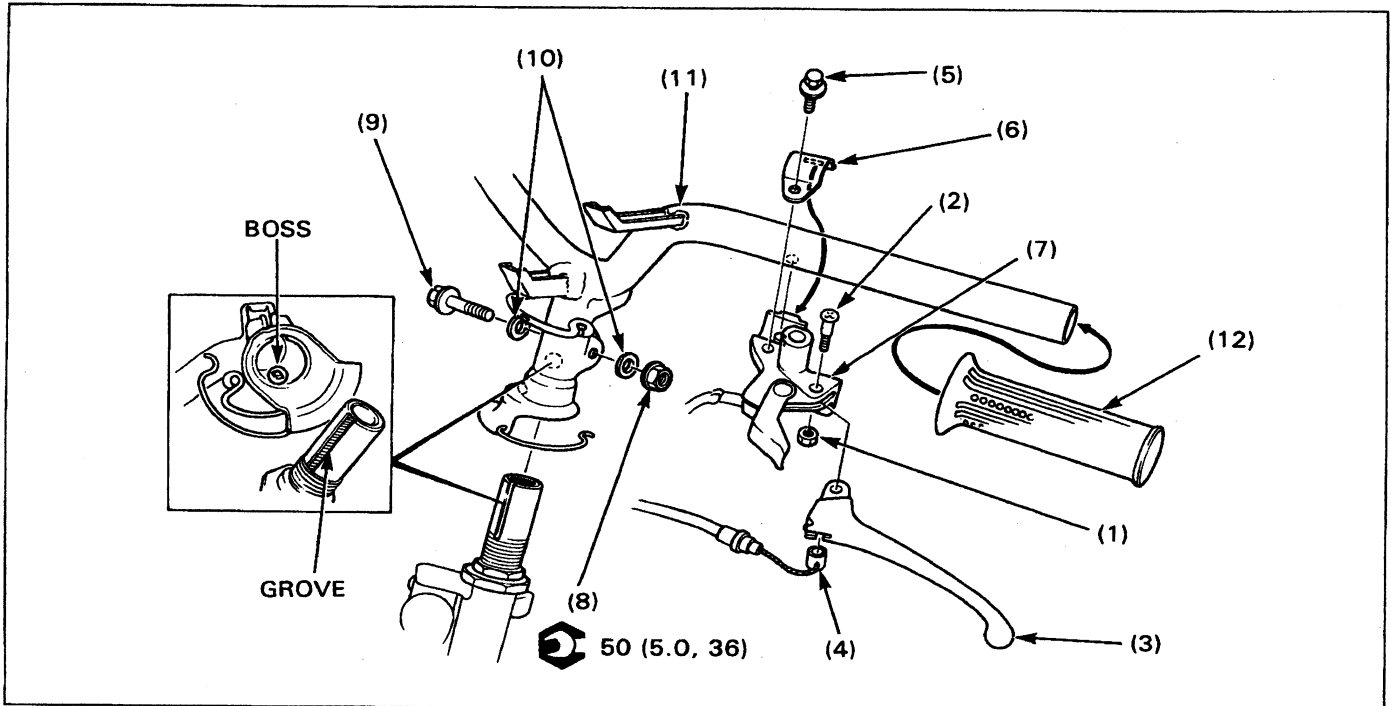


Handlebar Removal/Installation



Requisite Service

- Throttle housing removal/installation (page 11-5)

Procedure		Q'ty	Remarks
Removal Order			Installation is in the reverse order of removal.
(1)	Nut	1	
(2)	Rear brake lever pivot screw	1	
(3)	Rear brake lever	1	
(4)	Rear brake cable	1	
Rear brake lever bracket			When installing, hook the slot in the band to the tab of the lever bracket. Whn installing, align the boss on the bracket with the hole in the handlebar.
(5)	Bolt	1	
(6)	Lever bracket band	1	
(7)	Rear brake lever bracket	1	
(8)	Nut	1	When installing, align the boss of the handlebar with the groove in the steering stem.
(9)	Handlebar pinch bolt	1	
(10)	Washer	2	
(11)	Handlebar	1	
(12)	Handle grip	1	