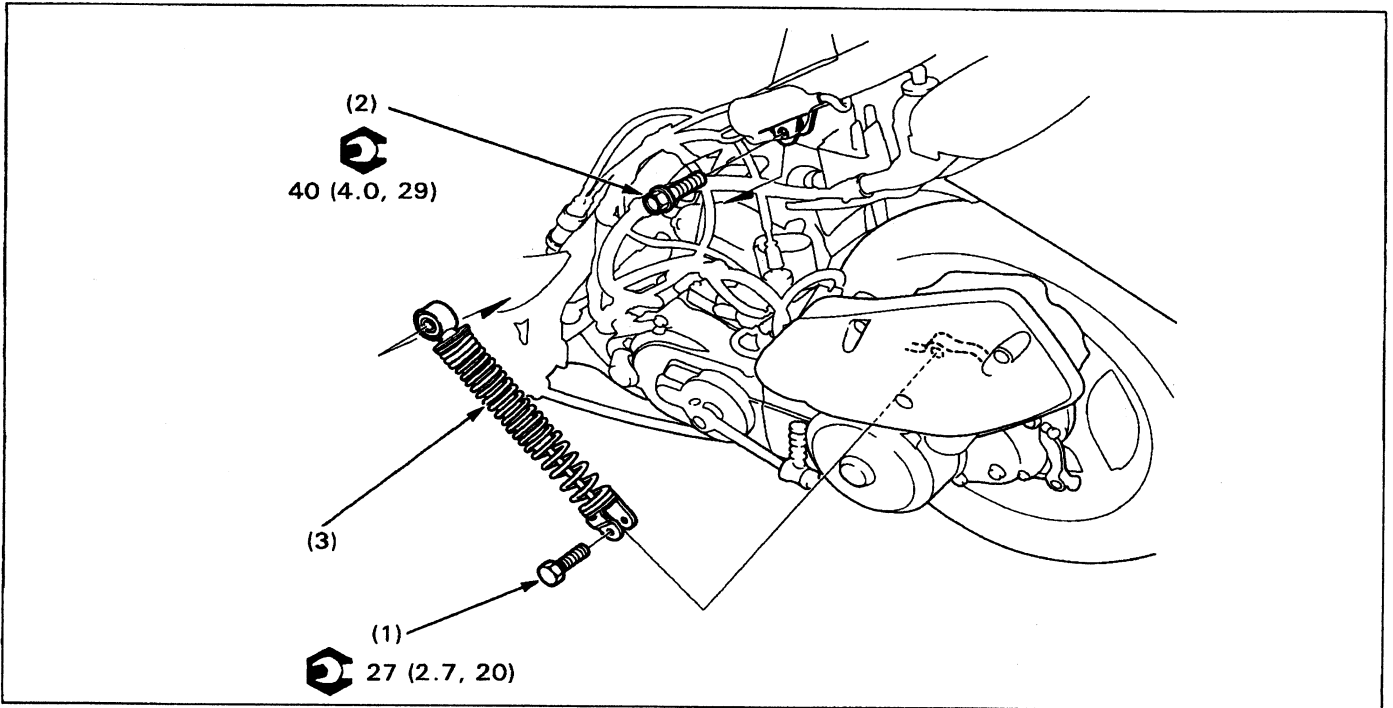


Shock Absorber Removal/Installation



NOTE

• Do not attempt to disassemble the shock absorber. Replace it as an assembly.

Requisite Service

- Frame body cover removal/installation (page 2-3)

Procedure		Q'ty	Remarks
Removal Order			Installation is in the reverse order of removal.
(1)	Lower mounting bolt	1	
(2)	Upper mounting bolt	1	
(3)	Shock absorber	1	