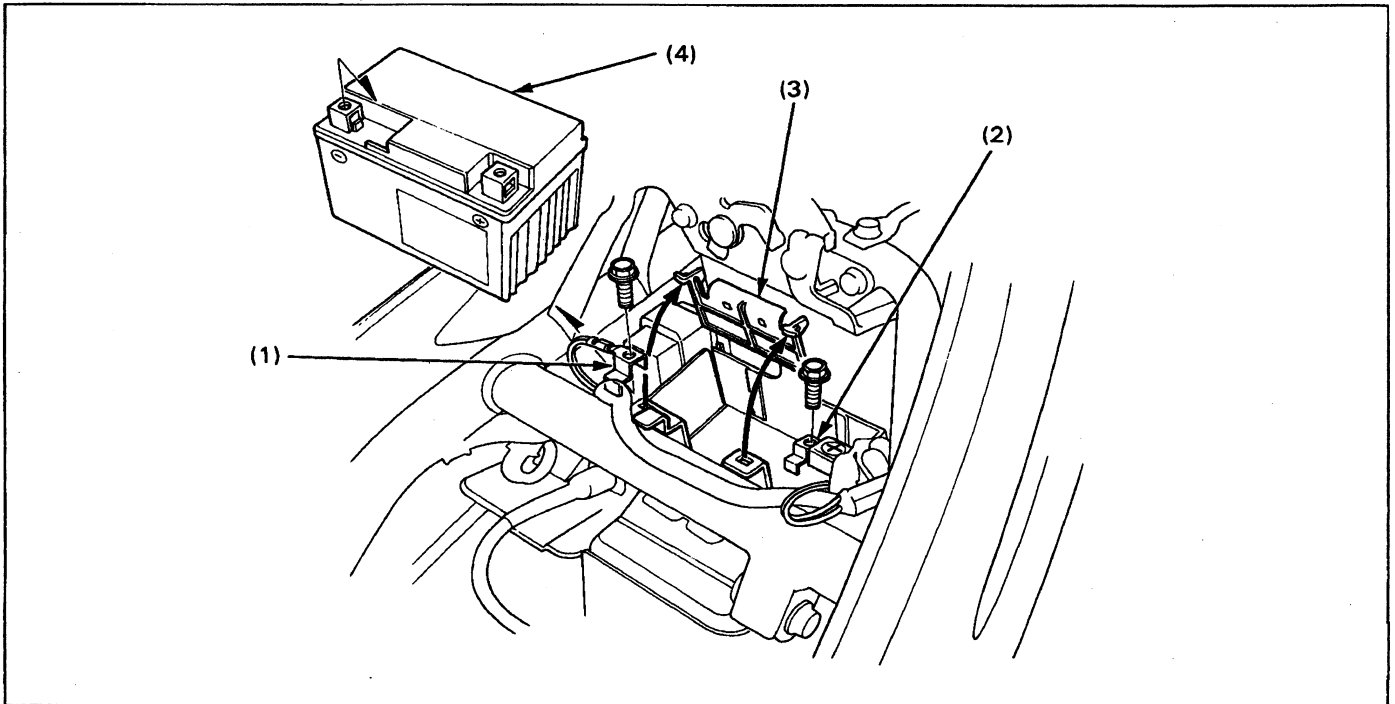


## Battery Removal/Installation



### Requisite Service

- Luggage box removal/installation (page 2-4)

Procedure		Q'ty	Remarks
(1)	<b>Removal Order</b> Battery negative $\ominus$ wire terminal	1	Installation is in the reverse order of removal. <b>CAUTION</b> • With the ignition switch OFF, remove the negative $\ominus$ terminal first, then the positive $\oplus$ terminal. <b>CAUTION</b> • When installing, install the positive $\oplus$ terminal first, then the negative $\ominus$ terminal.
(2)	Battery positive $\oplus$ wire terminal	1	
(3)	Battery holder	1	
(4)	Battery	1	