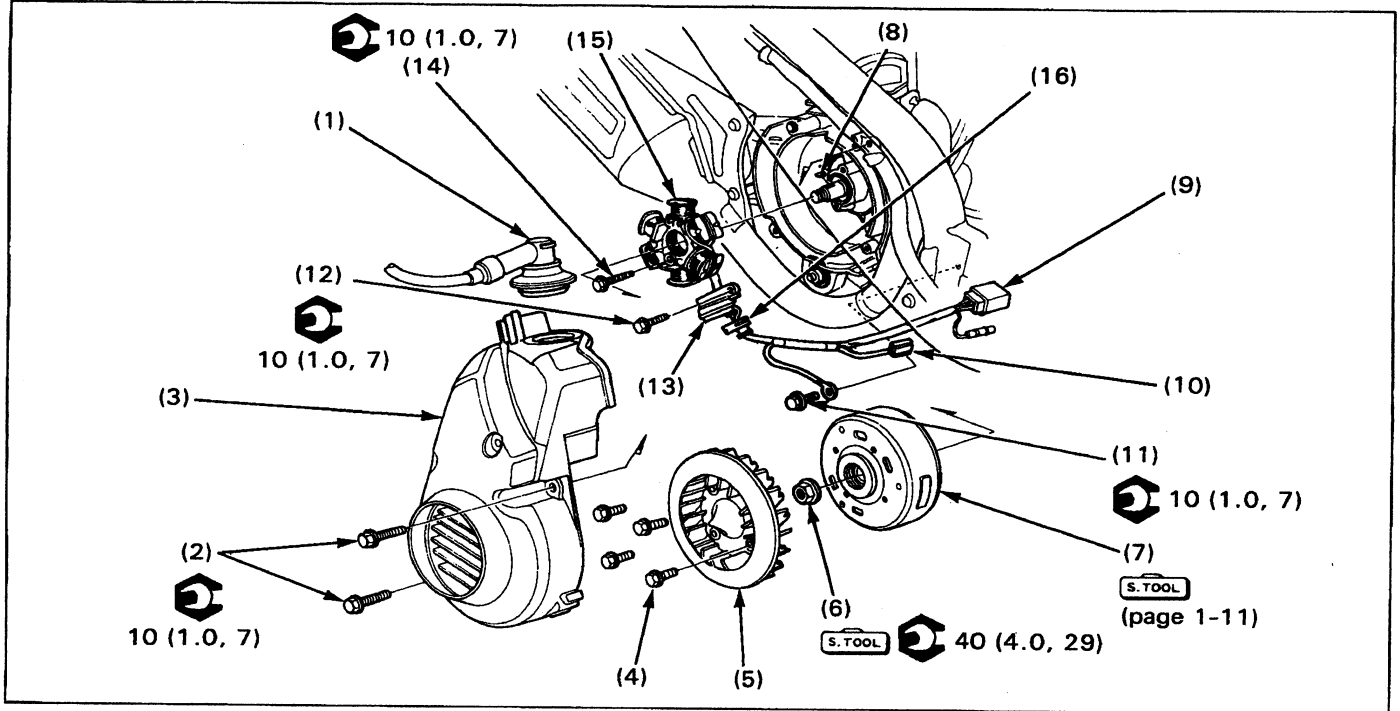


## Alternator Removal/Installation



### Requisite Service

• Frame body cover removal/installation (page 2-3)

Procedure	Q'ty	Remarks
<b>Removal Order</b>		Installation is in the reverse order of removal.
(1) Spark plug cap	1	
(2) Bolt	2	
(3) Fan cover	1	
(4) Bolt	4	
(5) Cooling fan	1	
(6) Flywheel nut	1	Removal/installation (page 13-9)
(7) Flywheel	1	
(8) Woodruff key	1	
(9) Alternator wire connector	2	
(10) Starter motor connector	1	
(11) Starter motor lower mounting bolt	1	Remove the starter motor ground wire.
(12) Pulse generator bolt	2	
(13) Pulse generator	1	
(14) Stator bolt	2	
(15) Stator	1	
(16) Grommet	1	