

### Flywheel Nut Removal/Installation

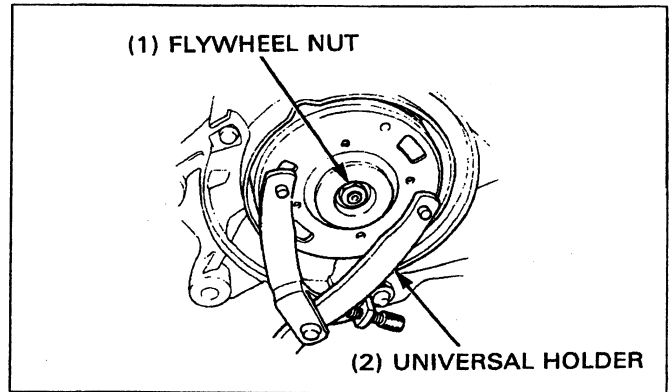
Hold the flywheel with the universal holder and remove the flywheel nut.

**S. TOOL**

Universal holder

07725-0030000

Install the nut in the reverse order of removal.



### Alternator Inspection

**NOTE**

• This inspection can be performed with the stator installed.

Remove the frame body cover (page 2-5).  
 Disconnect the alternator 6P connector.  
 Measure the charging coil resistance between the white wire terminal and ground.

**Standard: 0.4–1.0  $\Omega$  (20°C/68°F)**

Measure the lighting coil resistance between the yellow wire terminal and ground.

**Standard: 0.2–0.8  $\Omega$  (20°C/68°F)**

### Resistor Inspection

Remove the front cover (page 2-5).  
 Disconnect the resistor wire connector and measure the resistance between the wire terminal and body ground.

**Standard: 4.7–5.3  $\Omega$  (20°C/68°F)**

