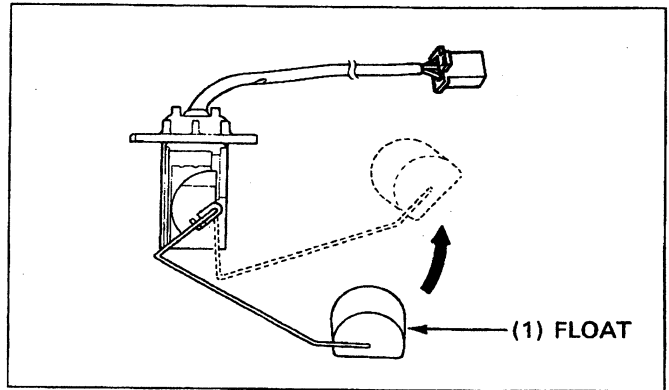


Fuel Level Sensor Inspection

Remove the fuel level sensor (page 2-8).

Move the float with your hand and measure the resistances between the terminals with the float at the FULL (upper) and EMPTY (lower) positions.

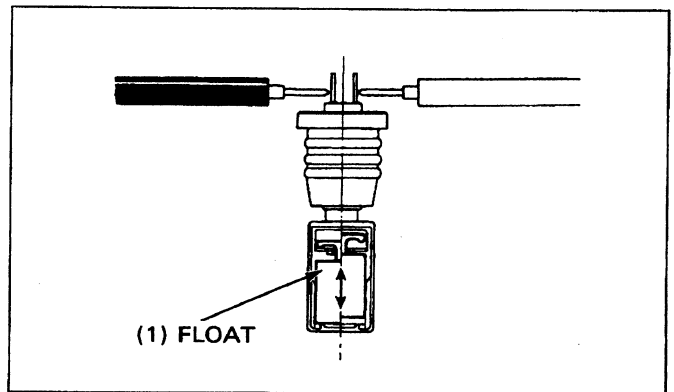
Wire color of terminal	FULL	EMPTY
Green and yellow/white	25 – 45 Ω	400 – 700 Ω
Green and blue/white	400 – 700 Ω	25 – 45 Ω
Yellow/white and blue/white	450 – 750 Ω	450 – 750 Ω



Oil Level Switch Inspection

Remove the oil level switch (page 4-4).

Check for continuity between the terminals. There should be continuity with the float at upper position and no continuity with the float at lower position.

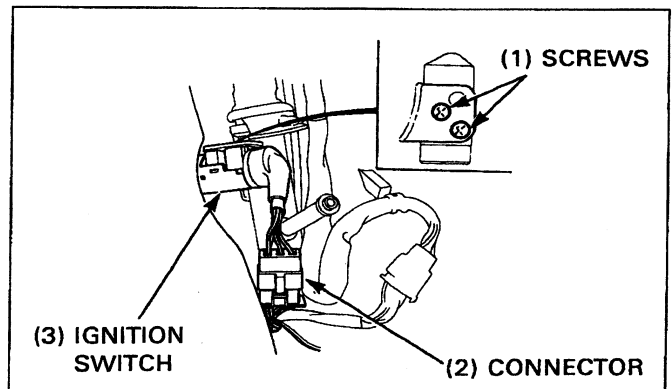


Ignition Switch Replacement

Remove the front cover (page 2-5).

Disconnect the ignition switch wire connector. Remove the two screws and the ignition switch.

Install the ignition switch in the reverse order of removal.



Bulb Replacement

Headlight

NOTE

- If the headlight bulb has been blown, replace the headlight unit.

Remove the handle front cover (page 2-7).

Remove the four screws and the headlight with the bracket from the handle front cover.

Remove the two adjusting screws, attaching screw and the headlight from the bracket.

Install a new headlight in the reverse order of removal.

After installing, adjust the headlight aim (page 3-6).

