

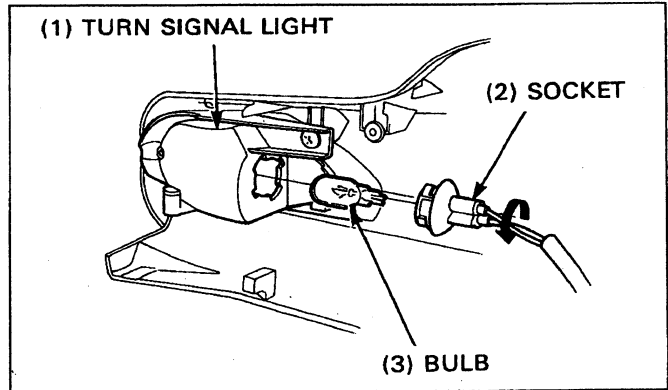
Front Turn Signal Light

Remove the handle front cover (page 2-7).

Remove the bulb socket from the turn signal light by turning it counterclockwise.

Pull the bulb out of the socket.

Install a new bulb and removed parts in the reverse order of removal.



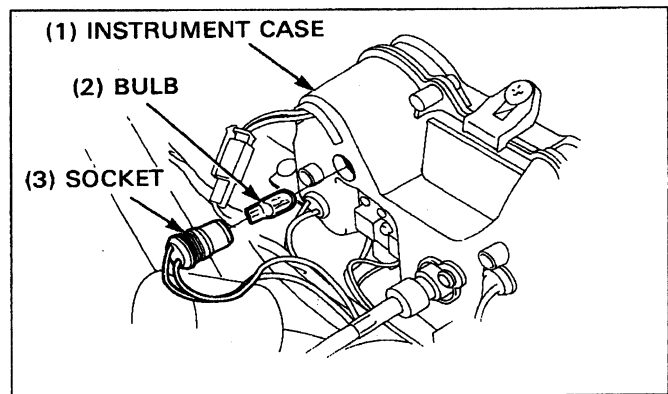
Instrument/Indicator light

Remove the handle rear cover (page 2-7).

Remove the bulb socket from the instrument case.

Pull the bulb out of the socket.

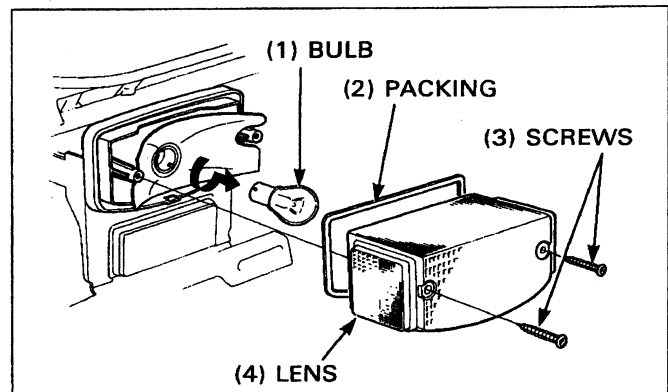
Install a new bulb and removed parts in the reverse order of removal.



Taillight

Remove the two screws, taillight lens and packing.
Turn the bulb counterclockwise while pushing it in, and remove it.

Install a new bulb and removed parts in the reverse order of removal.



Rear Turn Signal Light

Remove the screw, turn signal light lens and packing.
Turn the bulb counterclockwise while pushing it in, and remove it.

Install a new bulb and removed parts in the reverse order of removal.

NOTE

- Align the lug on the lens with the slot in the light case properly.

