

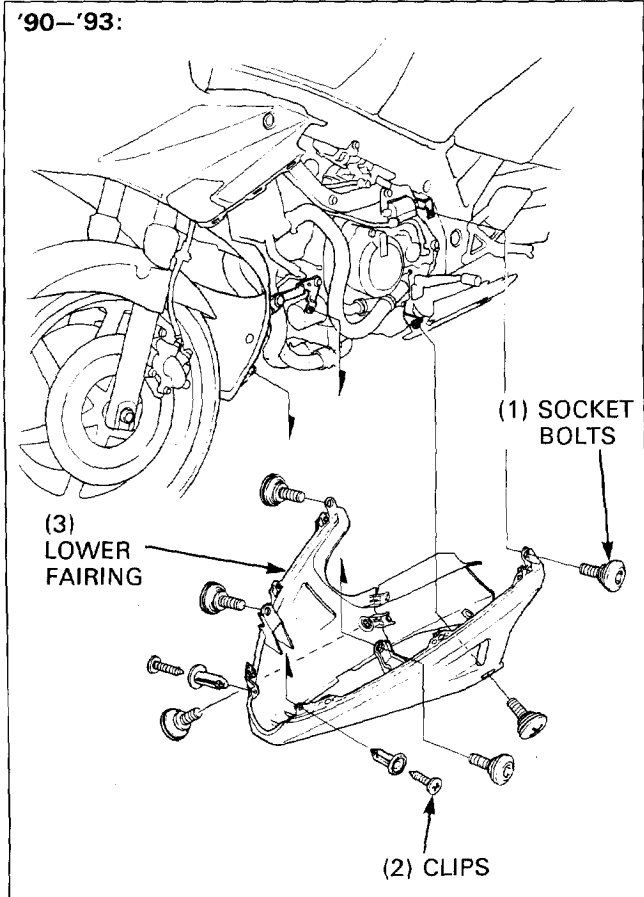
Lower Fairing

'90-'93:

Remove the middle fairings (page 2-4).
Remove the socket bolts and trim clips, and remove the lower fairing.

CAUTION

- Do not damage the fairing surface when removing the fairing.



After '93:

Remove the middle fairings (page 2-6).
Remove the four socket bolts and lower fairing.
Installation is in the reverse order of removal.

NOTE

- Align the tabs with the tabs of lower center fairing as shown.

CAUTION

- Be careful not to bend the lower fairing stays when tightening the front bolts.

