

Spark Plug

Refer to page 1-13 for the recommended plugs and plug gap specification.

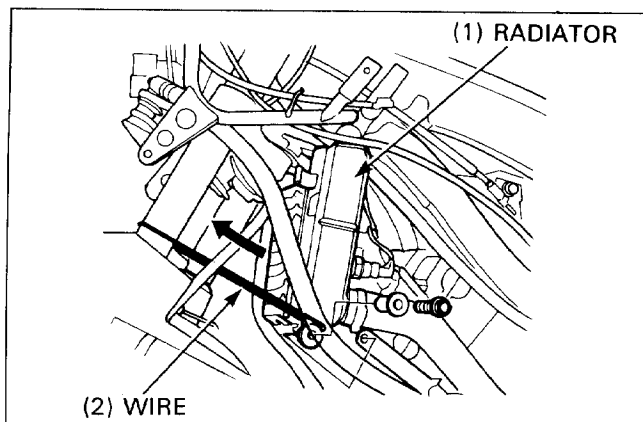
Remove the lower center fairing (page 2-8).

Place the front wheel in the straight ahead position.

Remove the lower radiator mounting bolt, loosen the upper mounting bolt and swing the radiator forward, then secure it with a piece of wire.

CAUTION

- Be careful not to damage the radiator fins.



Disconnect the spark plug caps from the #2 and #4 cylinders.

Clean any dirt from around the spark plug bases.

Remove the #2 and #4 cylinder spark plugs.

'90-'93:

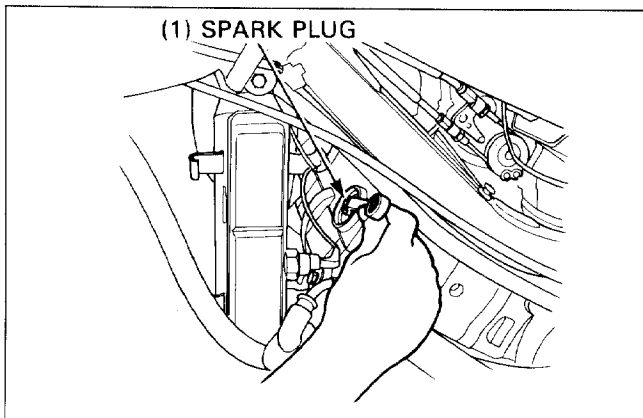
Remove the seat (page 2-2).

Remove the fuel tank mounting bolt and nut.

Raise the fuel tank rear side and install the special tool (included in the tool kit) as shown.

After '93:

Remove the rear fairing (page 2-3).



Disconnect the #1 and #3 cylinder spark plug caps from the spark plugs.

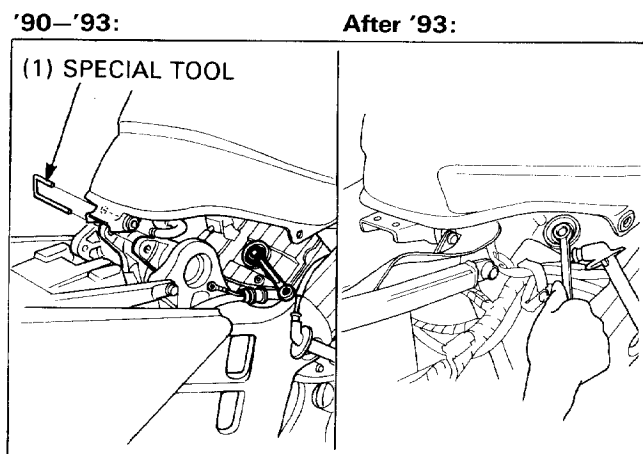
Clean any dirt from around the spark plug bases.

Remove the #1 and #3 cylinder spark plugs.

Adjust air gap if necessary. Install the spark plugs.

Torque: 12 N·m (1.2 kg·m, 9 ft·lb)

Install the removed parts in the reverse order of removal.



Valve Clearance

Inspection

NOTE

- Inspect and adjust valve clearance while the engine is cold (Below 35°C/95°F).

Remove the following:

- timing hole cap
- seat (page 2-2)
- fuel tank (page 2-22)
- middle fairings (page 2-4)

