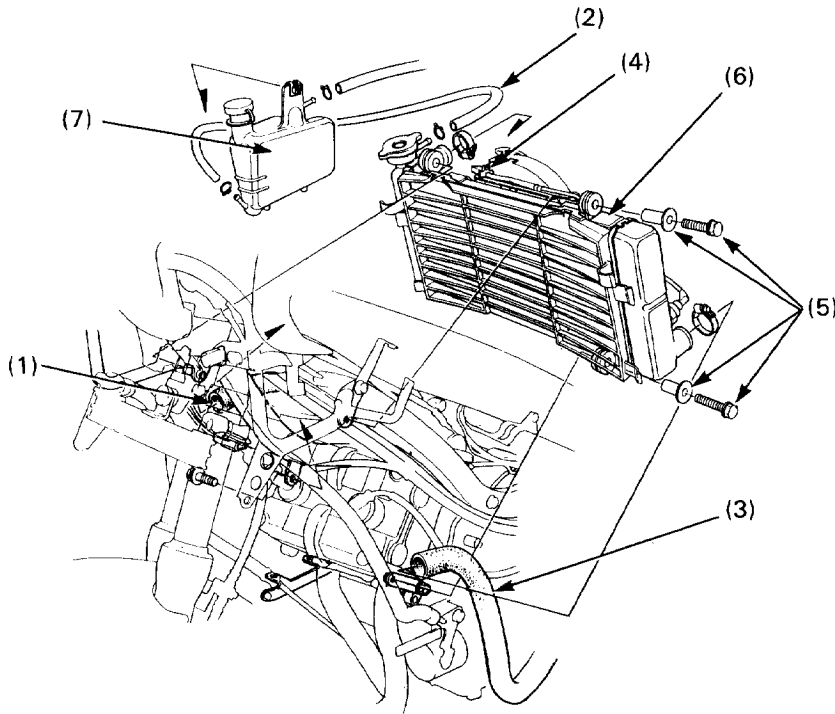


# Radiator Removal/Installation



## Requisite Service

- Lower fairing removal/installation (page 2-7)
- Coolant draining (page 5-3)
- Coolant refill (section 5 of the Common Service Manual)

Procedure	Q'ty	Remarks
<b>Removal Order</b>		• Installation is in the reverse order of removal.
(1) Upper radiator hose	1	After connecting with the radiator, secure it with hose band or hose clip.
(2) Siphon tube	1	
(3) Lower radiator hose	1	
(4) Fan motor switch connector	1	
(5) Radiator mounting bolt/collar	2/2	
(6) Radiator assembly	1	Remove it after releasing the projection on the right-radiator stay.
(7) Reserve tank	1	When installing, insert the projections on the bottom of the tank into holes in stay.