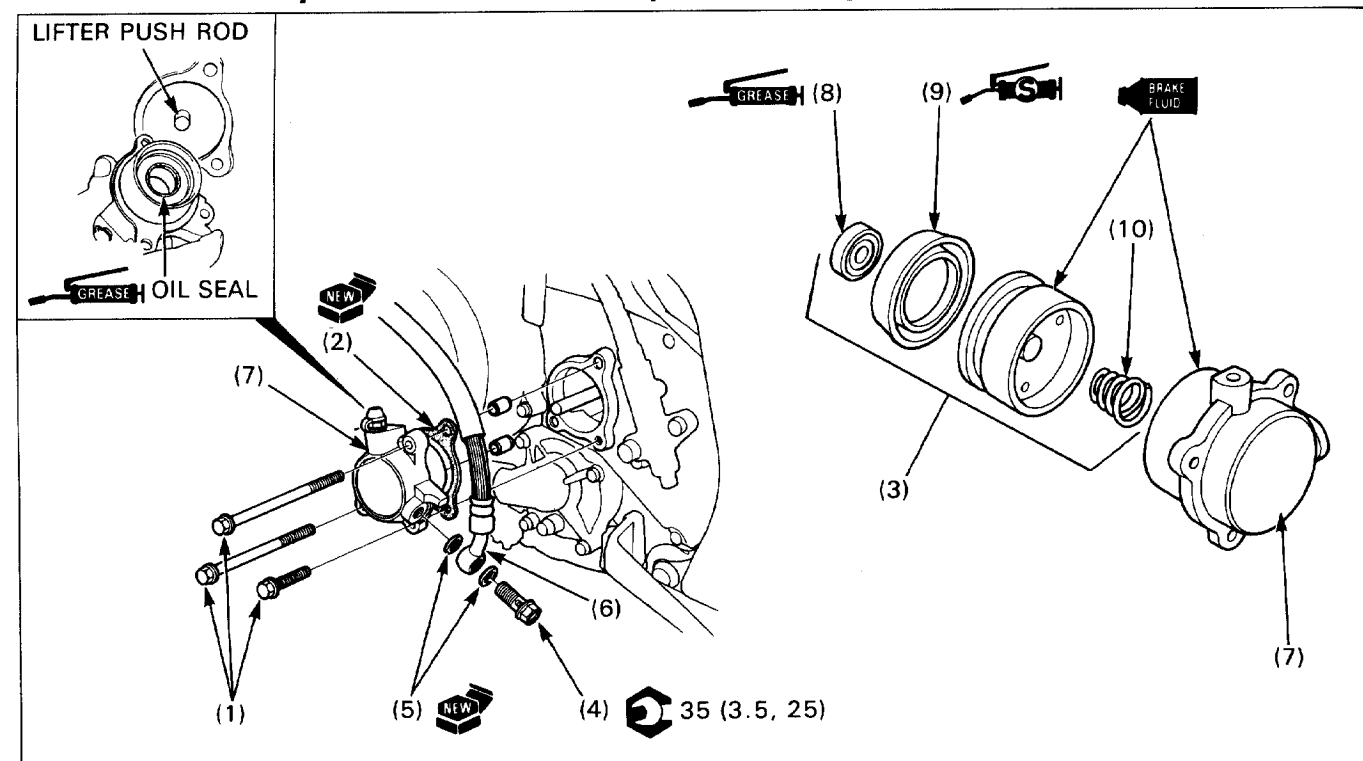


## Clutch Slave Cylinder Disassembly/Assembly



## Requisite Service

- Clutch fluid replacement/air bleeding (page 11-27, 28 of the Common Service Manual)

Procedure		Q'ty	Remarks
(1)	<b>Disassembly Order</b> Clutch slave cylinder mounting bolt	3	<ul style="list-style-type: none"> <li>• Assembly is in the reverse order of removal.</li> </ul> <b>NOTE:</b> <ul style="list-style-type: none"> <li>• Do not disconnect the clutch fluid hose until the piston has been removed.</li> </ul> <ul style="list-style-type: none"> <li>• Place a clean pan under the slave cylinder to catch the draining fluid and squeeze the clutch lever slowly to push out the piston.</li> </ul> Drain the clutch fluid. Temporarily install the slave cylinder then disconnect the clutch fluid hose. <ul style="list-style-type: none"> <li>• When installing, make sure that the clutch lifter push rod is installed properly.</li> </ul>
(2)	Gasket	1	
(3)	Clutch slave piston assembly	1	
(4)	Clutch fluid hose bolt	1	
(5)	Sealing washer	2	
(6)	Clutch fluid hose	1	
(7)	Clutch slave cylinder	1	
(8)	Oil seal	1	
(9)	Piston seal	1	
(10)	Spring	1	
			<b>NOTE:</b> <ul style="list-style-type: none"> <li>• Fit the piston seal securely into the slave cylinder groove.</li> </ul>