

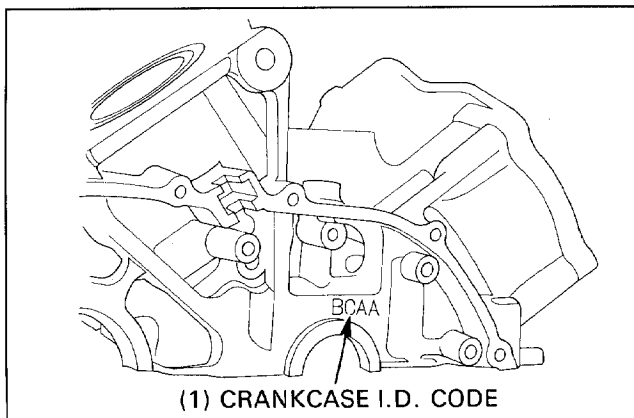
Crankshaft Bearing Replacement

Main Journal Bearing Selection

Record the crankcase I.D. code letters from the pad on the right side of the upper crankcase.

NOTE

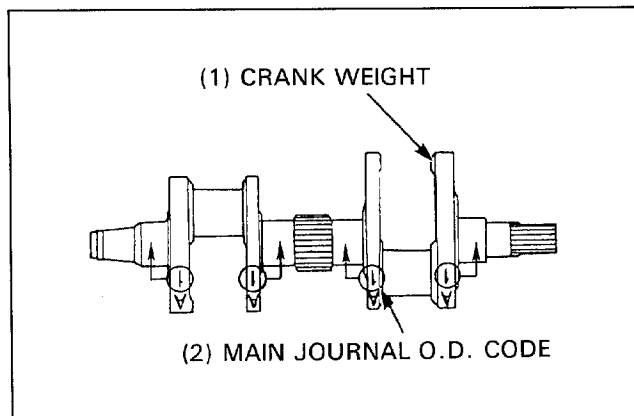
- The letters (A, B or C) on the upper crankcase are the codes for the main journal I.D.s. from the left to right.



Record the corresponding main journal O.D. code numbers from the crank weight.

NOTE

- The numbers (1, 2 or 3) on the crank weight are the codes for the main journal O.D.s.

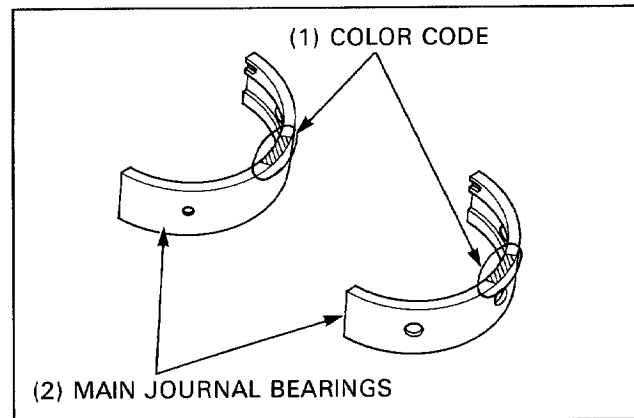


Cross-reference the case and journal codes to determine the replacement bearing color codes.

Main Journal Bearing Selection Table:

'90-'93: Unit: mm (in)

Crankcase I.D. code		A	B	C
Main journal O.D. code		37.000-37.005 (1.4567-1.4569)	37.006-37.011 (1.4569-1.4572)	37.012-37.018 (1.4572-1.4574)
1	33.998-34.003 (1.3385-1.3387)	Yellow	Green	Brown
2	33.992-33.997 (1.3383-1.3385)	Green	Brown	Black
3	33.985-33.991 (1.3380-1.3382)	Brown	Black	Blue



After '93:

Crankcase I.D. code		A	B	C
Main journal O.D. code		37.000-37.005 (1.4567-1.4569)	37.006-37.011 (1.4569-1.4572)	37.012-37.018 (1.4572-1.4574)
1	34.007-34.013 (1.3389-1.3391)	Yellow	Green	Brown
2	34.001-34.006 (1.3386-1.3388)	Green	Brown	Black
3	33.995-34.000 (1.3368-1.3385)	Brown	Black	Blue

Bearing thickness:

- Blue: Thick
- Black:
- Brown:
- Green:
- Yellow: Thin