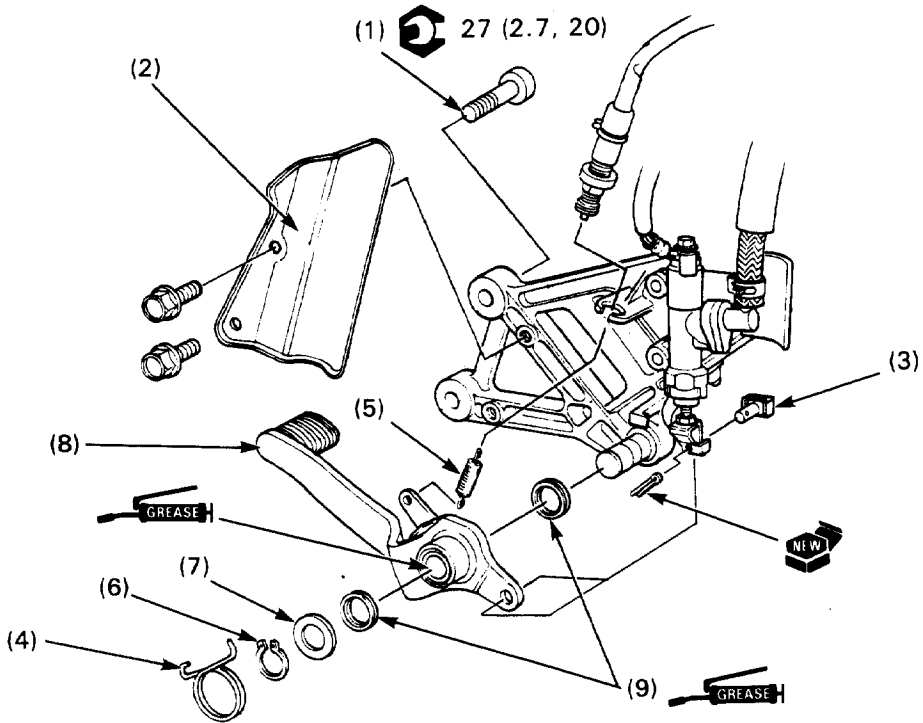


# Brake Pedal Removal/Installation

'90-'93:



**NOTE**

- Adjust the brake pedal height after installation.

Procedure		Q'ty	Remarks
<b>Removal Order</b>			
(1)	Footpeg stay bolt	2	• Installation is in the reverse order of removal.
(2)	Heat guard	1	
(3)	Push rod joint pin	1	Put through push rod joint and brake pedal from the outside, then secure with a new cotter pin.
(4)	Brake pedal return spring	1	Be careful not to strain the spring too much during removal and installation.
(5)	Rear brake light switch spring	1	
(6)	Snap ring		<b>NOTE</b> • Install with the chamfered side facing brake pedal. • After installing, make sure it is fully seated in the groove.
(7)	Thrust washer	1	
(8)	Brake pedal	1	Apply grease to the brake pedal pivot.
(9)	Dust seal	2	